



ON LINE
*Uninterruptible Power Systems
for Three-Phase AC Supply*



NH+ SERIES USER MANUAL

Content

0.Important Safety Instructions.....	0-1
1.Introduction	1-1
1-1 Advanced Features	1-1
2.Operation	2-1
2-1 Normal Mode (Single Installation)	2-1
2-2 Backup Mode (Single Installation)	2-1
2-3 Reserve Mode (Single Installation).....	2-2
2-4 Bypass Mode (Single Installation)	2-3
2-5 Normal Mode (Parallel).....	2-4
2-6 Backup Mode (Parallel)	2-5
2-7 Reserve Mode (Parallel).....	2-6
2-8 Bypass Mode (Parallel)	2-7
2-9 Hot Standby Redundancy.....	2-8
3.General View.....	3-1
3-1 Appearance	3-1
3-1-1 Dimension	3-2
3-2 Function.....	3-3
3-2-1 Front Panel.....	3-3
3-2-2 Rear Panel	3-4
3-2-3 External Battery Cabinet – Rear Panel	3-5
3-2-4 Power Module	3-6
3-3 Interface	3-7
3-3-1 Dry Contact Input	3-8
3-3-2 Dry Contact Output	3-10
3-3-3 RS232 Port.....	3-12
3-3-4 Parallel Port.....	3-12
3-3-5 Smart Card Slot.....	3-12
1. SNMP Card.....	3-13

2. Programmable Relay I/O Card.....	3-14
3. ModBUS Card.....	3-16
3-4 Other Optional Accessories	3-17
1. Environmental Sensor.....	3-17
2. SNMP + Switching Hub	3-18
3-5 Specification	3-19
4.Installation	4-1
4-1 Before Installation.....	4-1
4-2 Package Inspection	4-1
4-3 Storing For Delayed Installation.....	4-1
4-4 Unpacking Procedure	4-2
4-5 Location.....	4-3
4-5-1 Handling Safety.....	4-3
4-5-2 Position the UPS.....	4-3
4-5-3 Environment.....	4-5
4-6 Wiring	4-6
4-6-1 Preparations.....	4-6
4-6-2 Wiring (Single Unit)	4-7
4-6-3 Connecting External Battery Cabinet	4-9
4-6-4 Wiring (Parallel Redundancy, Single Input)	4-10
4-6-5 Wiring (Parallel Redundancy, Dual Input).....	4-11
5.Operating Procedure.....	5-1
5-1 Start up Procedure (Single)	5-1
5-2 Battery Start (Single)	5-2
5-3 Powering-Off (Single)	5-2
5-4 Manual Bypass Start up (Single)	5-3
5-5 Start up Procedure (Parallel Redundancy)	5-4
5-6 Powering Down (Parallel Redundancy).....	5-4

5-7 Manual Bypass Stat up (Parallel Redundancy)	5-5
6. Power Module Replacement	6-1
6-1 Power Module LED Indication	6-1
6-2 Power Module Replace	6-2
7. Display and Configuration	7-1
7-1 Control Panel.....	7-1
7-2 LCD Display	7-2
7-2-1 LCD Display Hierarchy	7-2
7-3 Default Screen.....	7-3
7-3-1 Status Display	7-4
7-4 Main Menu.....	7-9
7-5 UPS Setup.....	7-11
a. Bypass Setup	7-12
b. Output Setup	7-13
c. Battery Setup.....	7-15
d. Charger Setup	7-17
e. Parallel Setup	7-18
f. Control & Test Setup.....	7-19
g. Local Setup	7-21
7-6 Maintenance.....	7-23
8. Power Management Software	8-1
8-1 DELTA Software Family	8-1
8-2 UPSentry Smart 2000	8-2
8-2-1 Flexible Management Tools.....	8-3
8-3 InsightPower Manager	8-5

0. Important Safety Instructions

- This manual contains important instructions for the unit that should be followed during installation and maintenance of the UPS and batteries. All safety and operating instructions should be read thoroughly before attempting to wire or operate the unit.
- Install the on-line UPS in a well ventilated area, away from flammable liquids and gases. Do not let the unit come in contact with water.
- External slits and openings in the cabinet are provided for ventilation. To ensure reliable operation of the product and to protect from overheating, these openings must not be blocked or covered. Objects must never be inserted into ventilation holes or openings.
- Do not stand beverage containers on the unit.
- This UPS was designed to power all modern computer loads and associated peripheral devices, such as monitors, modems, cartridge tape drives, external floppy drives and so on. Do not use it for pure inductive or capacitive loads. It is not rated to power life support equipment.
- All repairs or installation should be performed by qualified service personnel. The UPS contains voltages which are potentially hazardous. The output receptacles may be alive even when the UPS is not connected to the mains.
- Risk of a possible electrocution is possible when the battery is connected to the UPS. Therefore, do not forget to disconnect the batteries before any service is to be done on the UPS. To disconnect, remove the battery fuse holder which is located at the rear panel of the UPS.
- Isolate Uninterruptible Power Supply(UPS) before working on the circuit. A readily accessible disconnect device shall be incorporated in the fixed wiring.
- HIGH LEAKAGE CURRENT – Earth connection essential before connecting power source.
- The disconnect device shall be a four-pole device and shall disconnect all line conductors and the neutral conductor.
- ATTENTION, hazardous through electrical shock. Also with disconnection of this unit from the mains, hazardous voltage still may be accessible through supply from the batteries. The battery supply should be therefore disconnected in the plus and minus pole of the batteries when maintenance or service work inside the UPS is necessary.
- Do not dispose of the batteries in a fire, the battery may explode.
- Do not open or mutilate the batteries. Released electrolyte is harmful to the skin and eyes. It may be toxic.
- A battery can present a risk of electric shock and chemical hazard. The following precaution should be observed when working on batteries.
 - * Remove watches, rings or other metal objects.
 - * Use only tools with insulated handles.
- The UPS only be installed in accordance with the requirements of IEC 60364-4-4-48.
- The compliance with the following standards provides the conformity:
 - EN 62040-1-2
 - EN 62040-2 Class A
 - IEC 61000-4-2 Level 4
 - IEC 61000-4-3 Level 3
 - IEC 61000-4-4 Level 4
 - IEC 61000-4-5 Level 4
 - IEC 61000-4-6

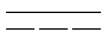
WARNING

This is a class A-UPS product. In a domestic environment, this product may cause radio interference, in which case, the user may be required to take additional measures.

SYMBOL INTRODUCTION



Protective grounding terminal: A terminal which must be connected to earth ground prior to making any other connection to the equipment.



A terminal to which or from which a direct current or voltage may be applied or supplied.



This symbol indicates the word "phase".

1. Introduction

DELTA NH Plus Series UPS is designed for large-scale power systems applied in data center, communication, networking, medical, safety and emergency systems and all factory facilities.

With innovative PFC design and IGBT architecture, the NH Plus Series features high efficiency, low iTHD, low noise and high reliability.

The NH Plus Series has a modular structure and hot-swappable function to easily perform maintenance and reduce the MTTR (Mean Time to Repair).

1-1 Advanced Features

- ◆ Power Rating: 20/40/60/80/100/120 KVA.
- ◆ Up to 6 modules work in parallel in the single cabinet.
- ◆ N+X parallel redundancy and expansion (Up to 4 units).
No need any extra parallel control card.
- ◆ High input power factor(pf > 0.99) and low input current (THD: < 3%) for installation cost savings and utility pollution reduction.
- ◆ Overall high efficiency > 94% with modular structure and hot-swappable function for operation cost savings.
- ◆ Dual input – separated rectifier and bypass input.
- ◆ Built-in manual and static bypass switch for maintenance.
- ◆ Built-in SRAM, record up to 500 real-time event logs.
- ◆ Redundant auxiliary power and control circuit.
Double insurance of performing reliability.
- ◆ Scheduled battery test and battery replacement warning.
- ◆ Local and remote emergency power off function (LEPO and REPO).
- ◆ Compatible with generator design.
- ◆ Double conversion and IGBT technology.
- ◆ Multi-interface monitoring and controlling.
- ◆ User-friendly LCD display and LED indicators.
- ◆ External battery pack available to extend the backup time.



2. Operation

There are four basic operation modes for DELTA NH Plus Series.

2-1 Normal Mode (Single Installation)

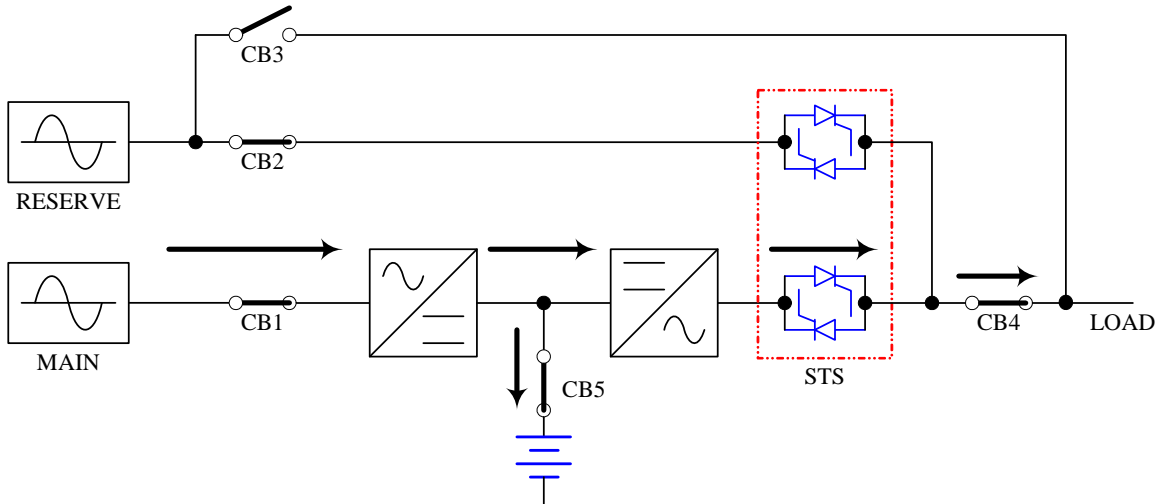


Fig. 2-1 Normal Mode (Single)

In normal mode, DC power rectified from AC input power charges batteries and powers the inverter that transforms DC power to stable and clean AC power for various loads. The “Double Conversion” technology allows regulating the utility to provide pure and stable power to your precious equipment (Refer to Fig. 2-1).

2-2 Backup Mode (Single Installation)

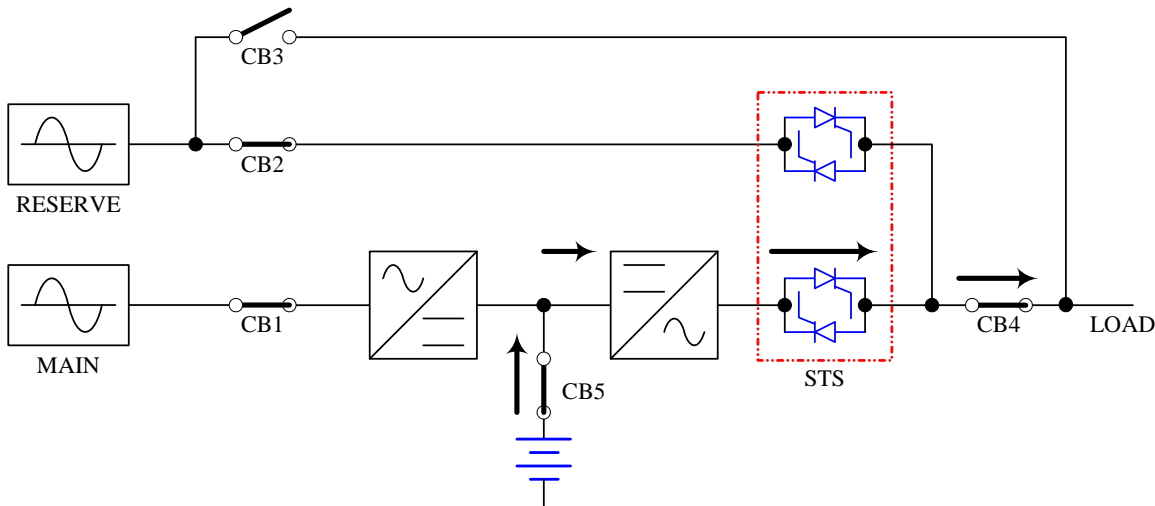


Fig. 2-2 Backup Mode (Single)

When a power event (blackout, transient, surge, fluctuation...) occurs, the UPS will automatically transfer from normal mode to backup mode. The battery will provide emergency power to the inverter and then to the loads (Refer to Fig. 2-2).

2-3 Reserve Mode (Single Installation)

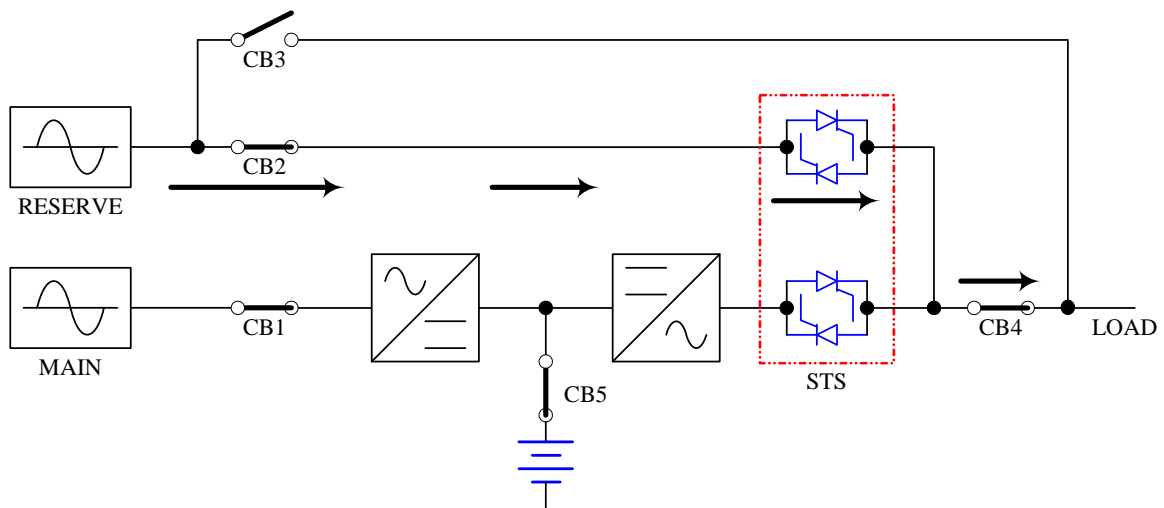


Fig. 2-3 Reserve Mode (Single)

When the inverter encounters abnormal situations.(such as over temperature, long-time overload, output short, abnormal output voltage and battery exhausted problems), the inverter will shut down. If the UPS detects the reserve power is normal, then it will automatically transfer to reserve mode to make sure the supply to the loads. After abnormal situations are eliminated, UPS will transfer back to the normal mode immediately (Refer to Fig. 2-3).

2-4 Bypass Mode (Single Installation)

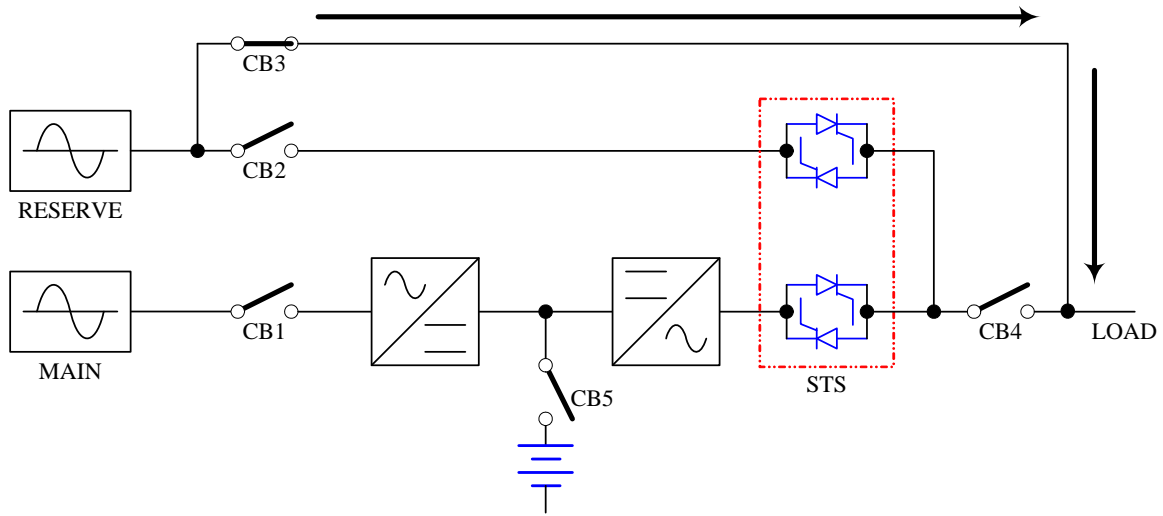


Fig. 2-4 Bypass Mode (Single)

In maintenance or repair service condition, you will need to cut off the UPS power but not the power to your equipment. Make sure if the reserve power exists first, then manually switch the UPS to bypass mode. At this time, there is no power inside the UPS. The service engineer can do the maintenance or repair task safely but keep your equipment supplied (Refer to Fig. 2-4).

2-5 Normal Mode (Parallel)

DELTA NH Plus Series provides a parallel combination (up to 4 units) to get redundancy or expand the total capacity.

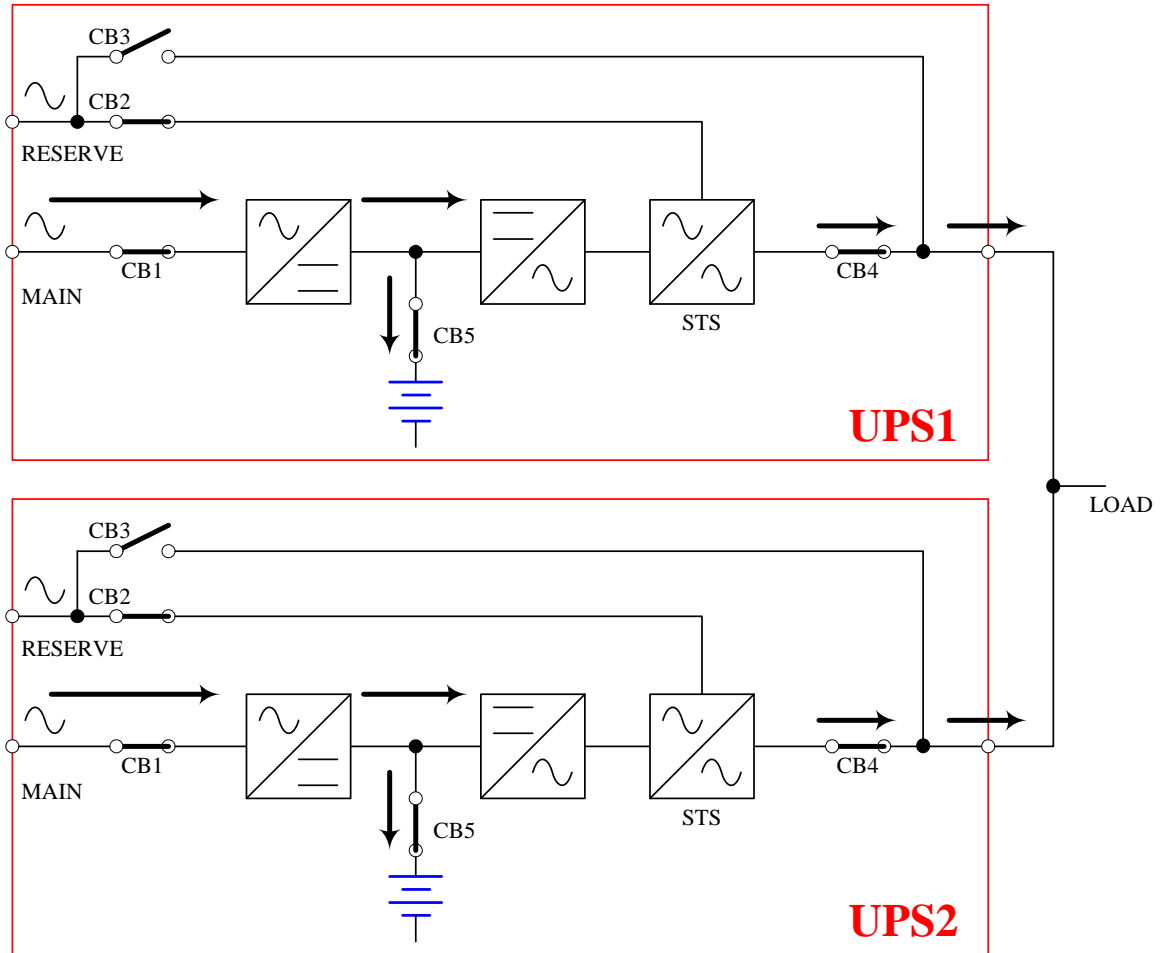


Fig. 2-5 Normal Mode (Parallel)

Under this installation, the load is shared by two UPS units. If there is any problem in one of them, the load will be entirely handled by the other. In case the load is greater than one UPS can take, the UPS will shut down and then transfer to the reserve mode (Refer to Fig. 2-5).

2-6 Backup Mode (Parallel)

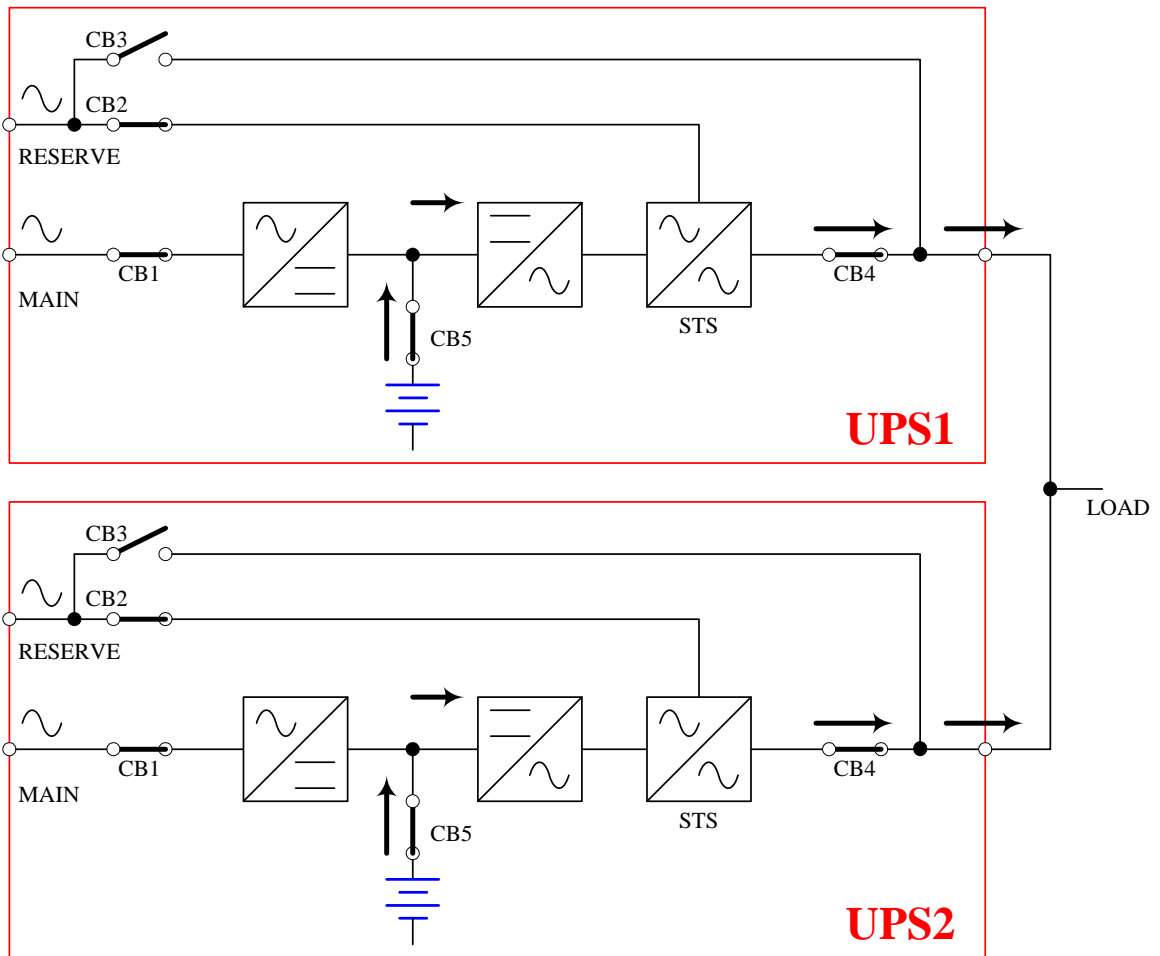


Fig. 2-6 Backup Mode (Parallel)

The load is shared by two UPS units when a blackout occurs (Refer to Fig. 2-6).

2-7 Reserve Mode (Parallel)

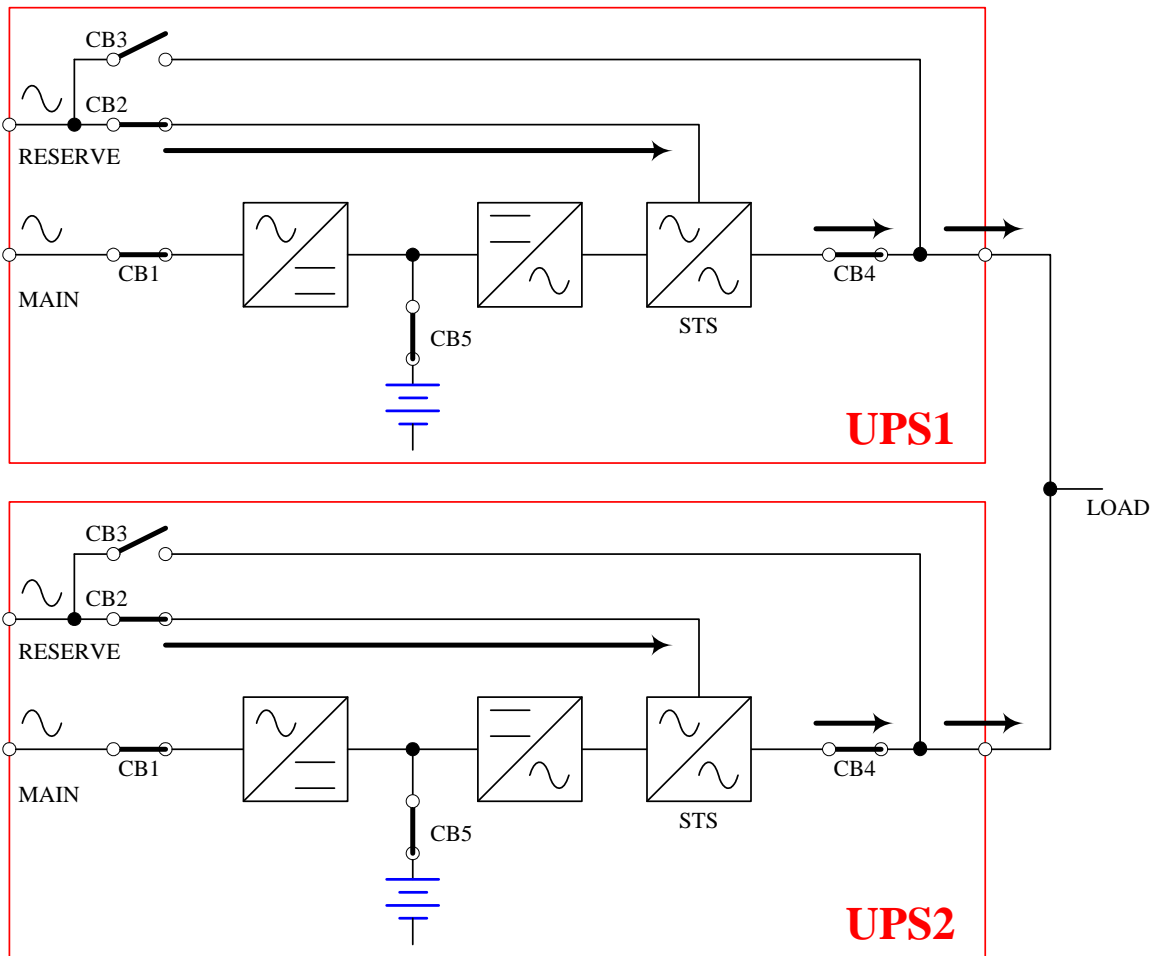


Fig. 2-7 Reserve Mode (Parallel)

The same as what mentioned in Section 2-3 except two UPS units sharing the load (Refer to Fig. 2-7).

2-9 Hot Standby Redundancy

The configuration of hot-standby redundancy is to use the identical UPS as the reserve source of single UPS. This installation will make sure if the output power for load is still present even when the main UPS malfunctions (Refer to Fig. 2-9).

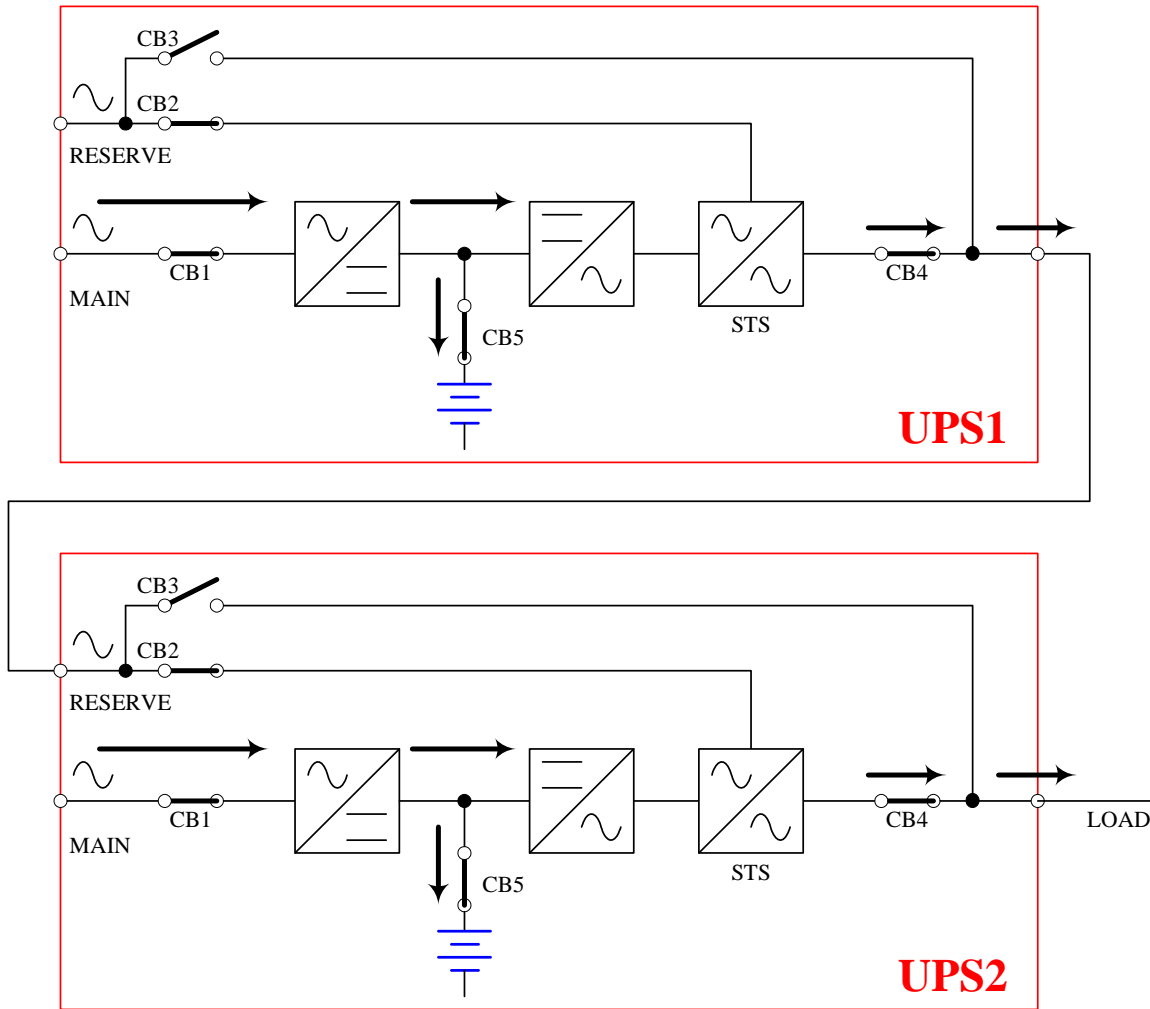


Fig. 2-9 Hot Standby Redundancy

3. General View

3-1. Appearance



LCD Display and Control Panel

3-1-1 Dimension

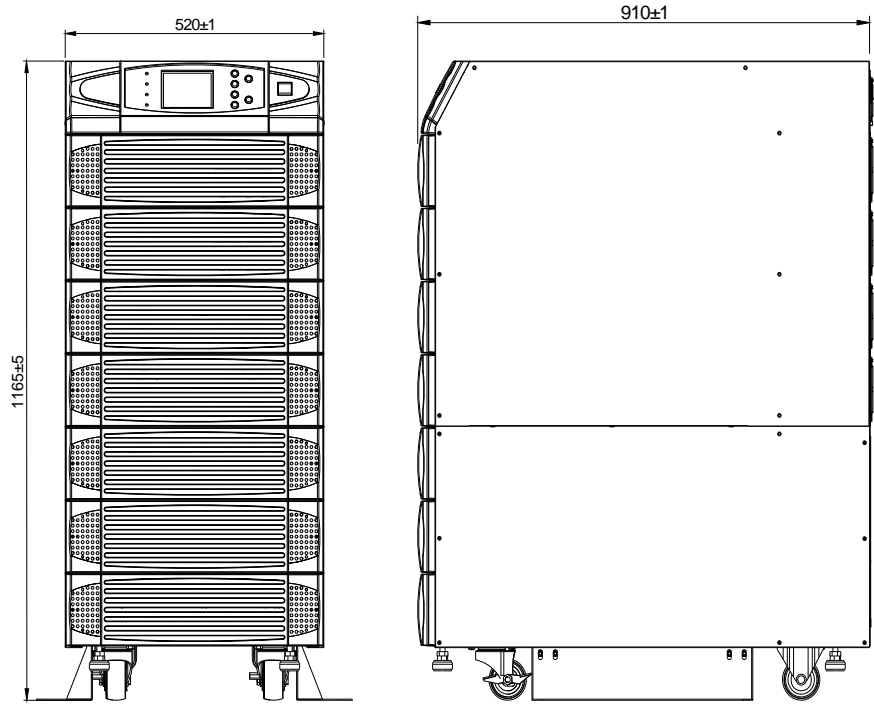


Fig. 3-1 Power Unit (80KVA)

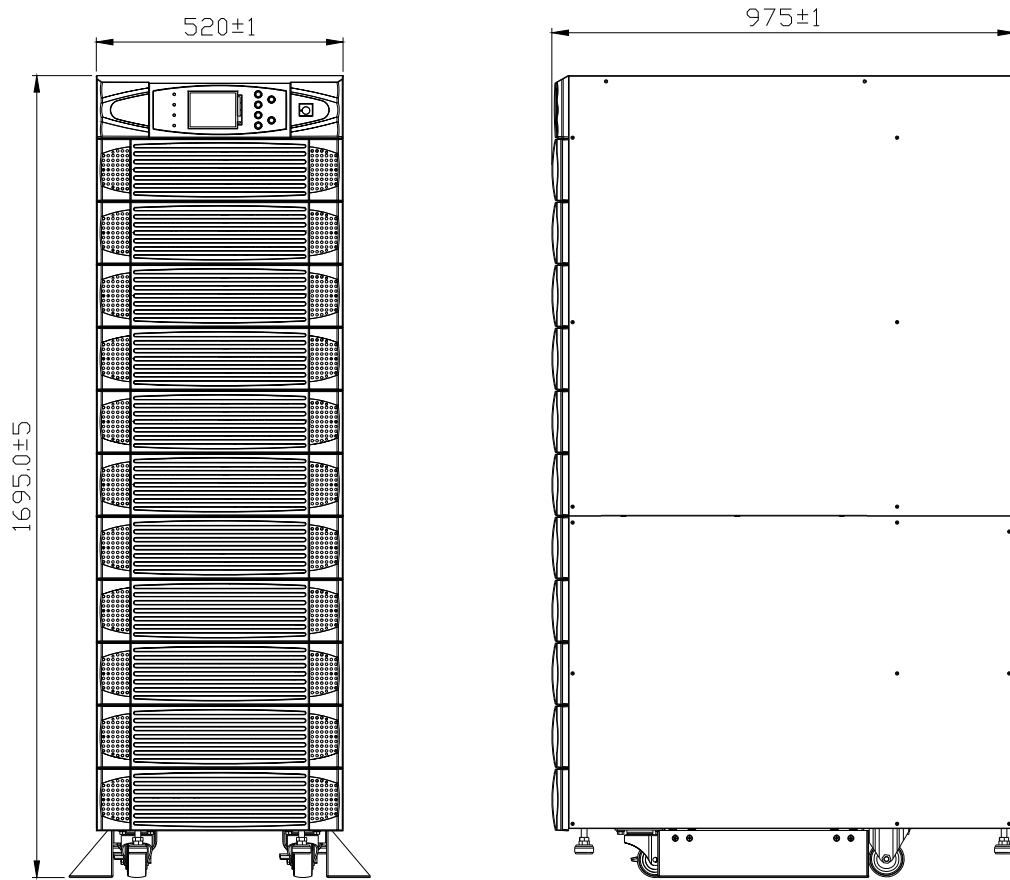


Fig. 3-2 Power Unit (120KVA)

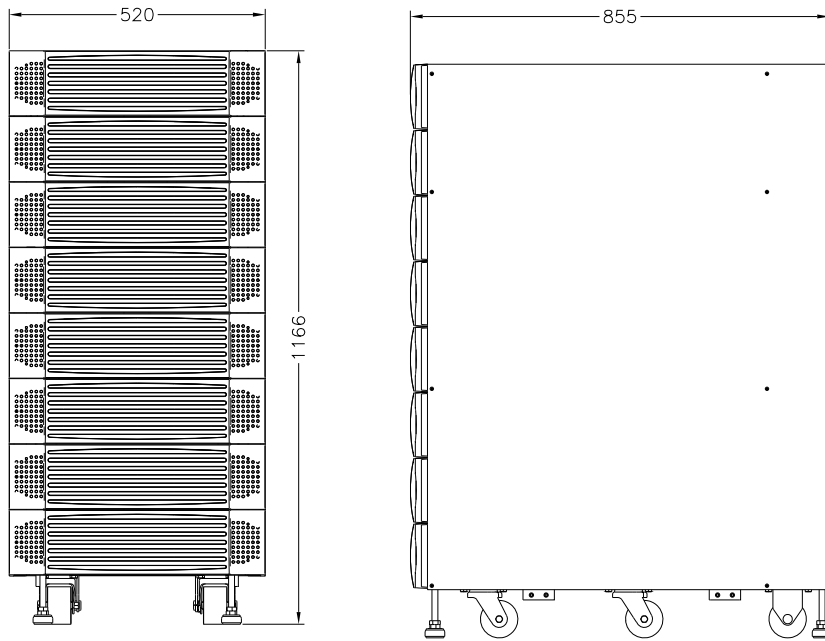


Fig. 3-3 External Battery Pack (26AH)

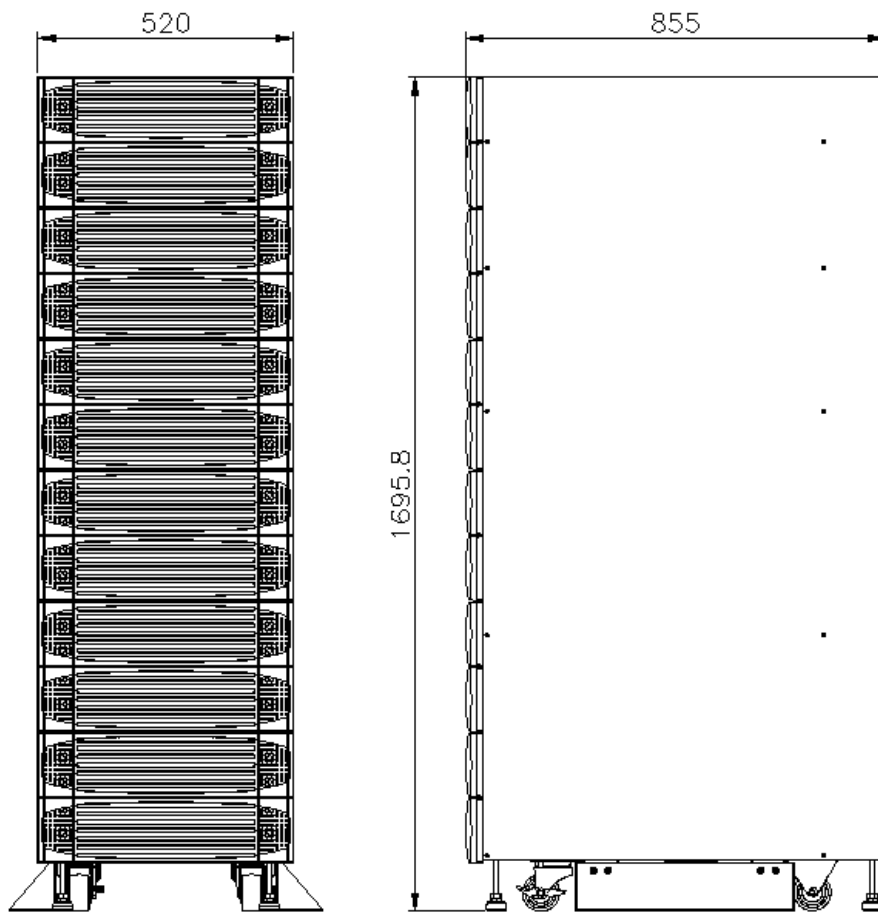


Fig. 3-4 External Battery Pack (40AH)

3-2 Function Introduction

3-2-1 Front Panel



1. LCD Display and Control Panel / Status LED indicators

- UPS status and message display.
- Parameter settings and button control.
- UPS startup / shutdown.
- EPO: Emergency power off.

For more details, refer to Section 6-1.

2. Power Modules

- Bezel can be easily removed for maintenance.
- The minimum capacity of each power module is 20KVA and the height is 3U (132cm).
- The capacity can be expanded at most 6 modules in 120kVA cabinet.
- Hot swap function for module replacement.



3. I/P and O/P Protectors

- There are four protectors: Input, Bypass, Manual Bypass and Output.
- All protectors belong to no-fuse breaker type.

3-2-2 Rear Panel

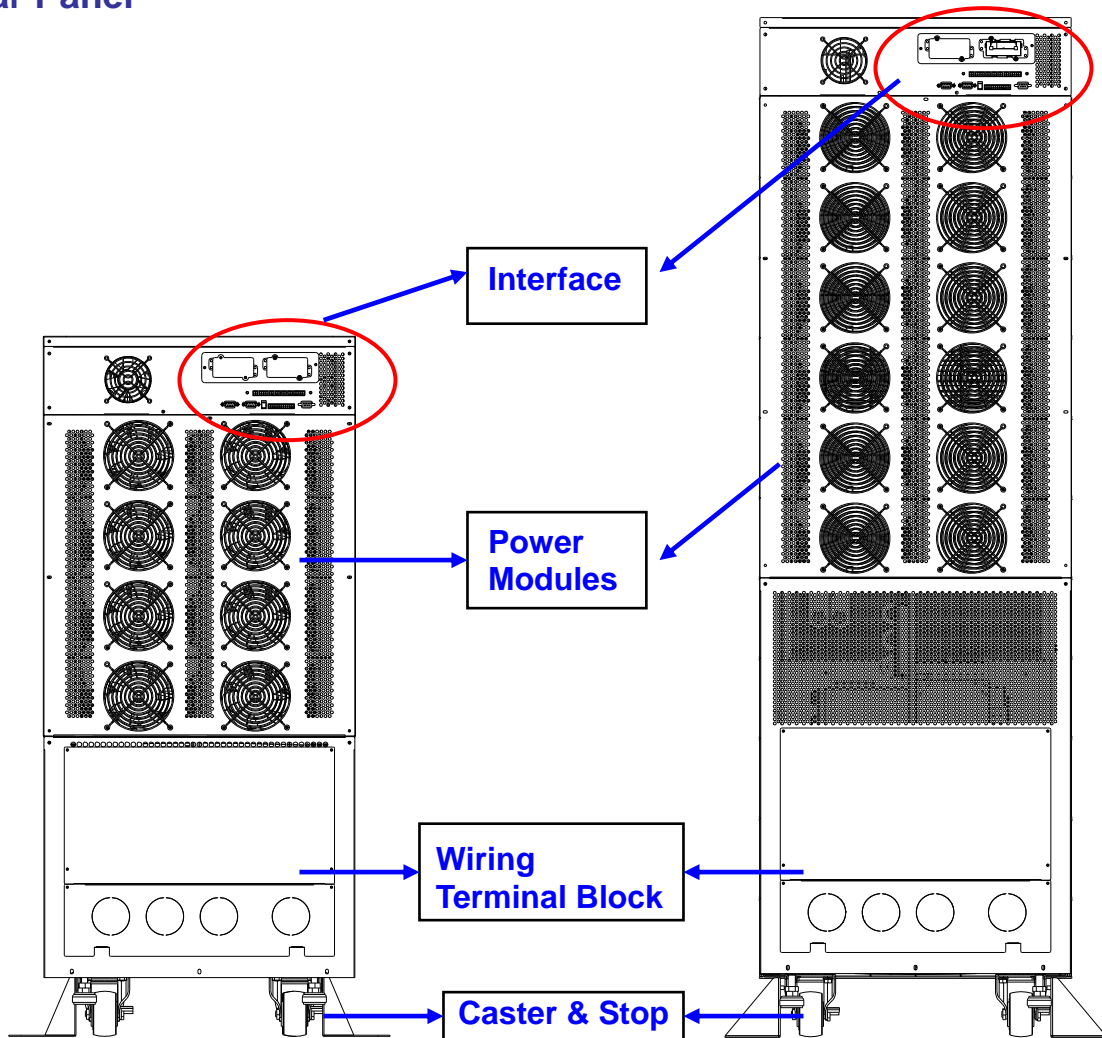


Fig. 3-5 Rear view of NH Plus

1. Interfaces

Provide multi-interface for monitoring and control purpose.

There are:

- (1) Two multi-function slots (SNMP card, Relay I/O control card and Modbus card are optional accessories).
- (2) Parallel port.
- (3) Input and output dry contacts.
- (4) RS232: Delta software "UPSentry Smart 2000" or "Insight Power Manager" is the optional choice for central monitoring and control purpose.

For more details, refer to Section 3-3.

2. Power modules

- Remove the cover, then you can perform wiring for power modules.,

3. Wiring terminal block

- Remove the cover, then you can perform wiring for input, output and external battery.
- Input power source: 3 phases (R, S, T and neutral N).

- Bypass input source: 3 Phases (R, S, T and neutral N).
- External battery pack: positive (+), negative (-) and neutral N.
- UPS output: 3 Phases (R, S, T and neutral N).
- Protection Earth: For safety considerations.

Different regions may have their own markings of power phases.
The following table is a cross reference for possible use.

Three Phase	America / Asia	Europe
L1	R	U
L2	S	V
L3	T	W

4. Caster & Stop:

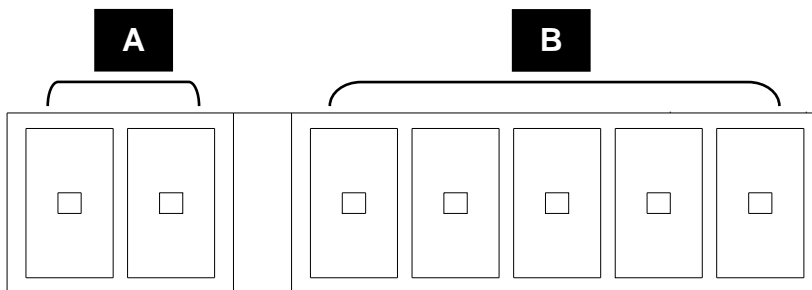
- Move the UPS for short distance.
- Casters with stop function.
- Adjustable leveler for stabilization.
- Balance supporter for safety.

3-2-3 External Battery Cabinet – Rear Panel

1. Dry Contacts

There are two kinds of messages that can be transmitted.

- Battery cabinet temperature
- Battery cabinet status



A: Temperature of Battery Cabinet

B: Status of Battery Cabinet

For more details, refer to Section 3-3.

2. Protector

Protection and control switch for batteries.

3. Caster & Stop

With the same function as those equipped with UPS.

4. Wiring Terminal Block

- You can remove the cover to perform the connection.
- Terminal: Positive(+), negative(-) and neutral (N).
- Two blocks for connecting the UPS and the next battery cabinet.

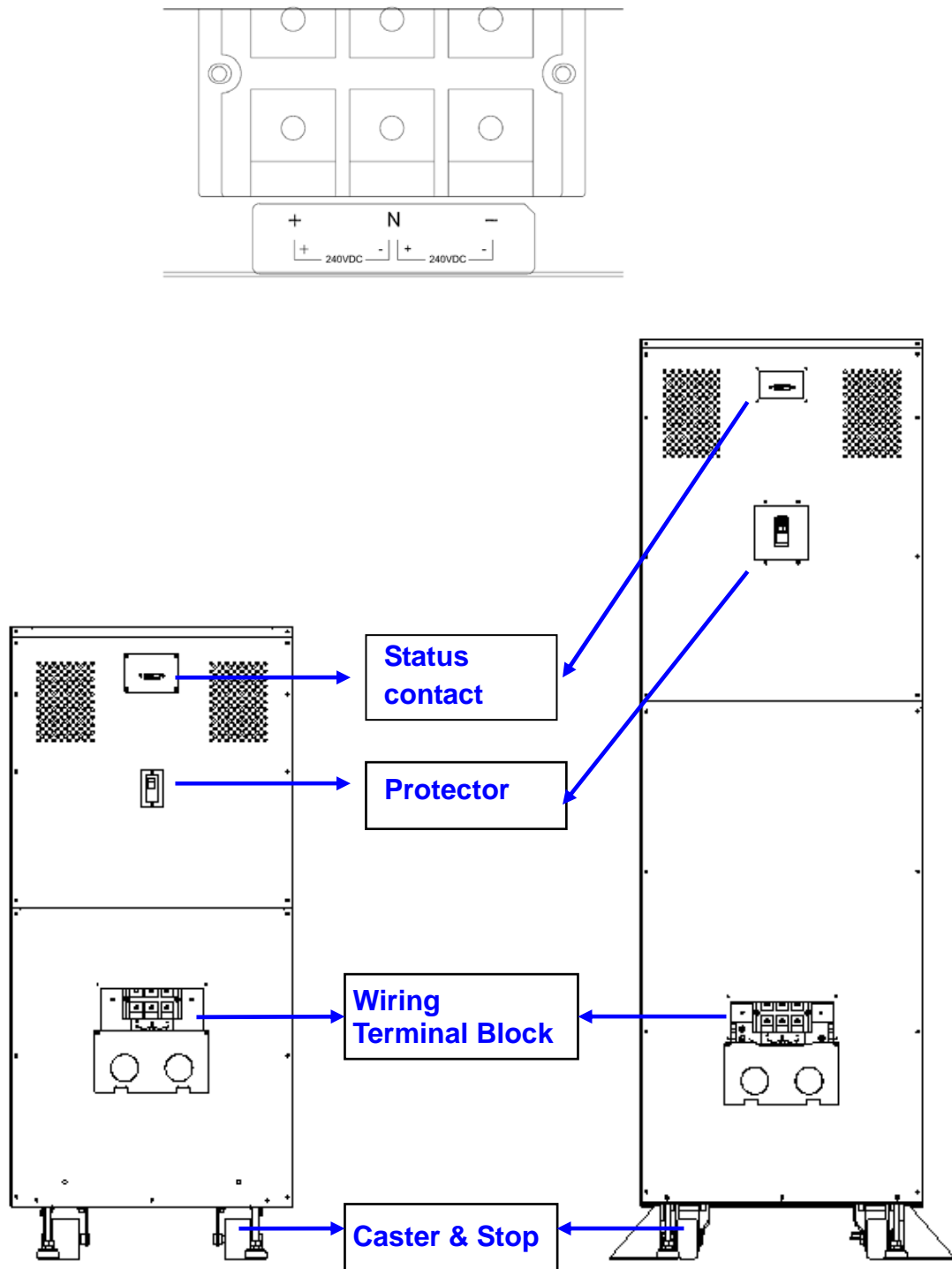


Fig. 3-6 Rear View of Battery Cabinet

3-2-4 Power Module

Each power module is an independent 20kVA/16kW unit, consisting of a power factor corrected rectifier, a battery charger and an inverter, with associated monitoring and control circuitry.

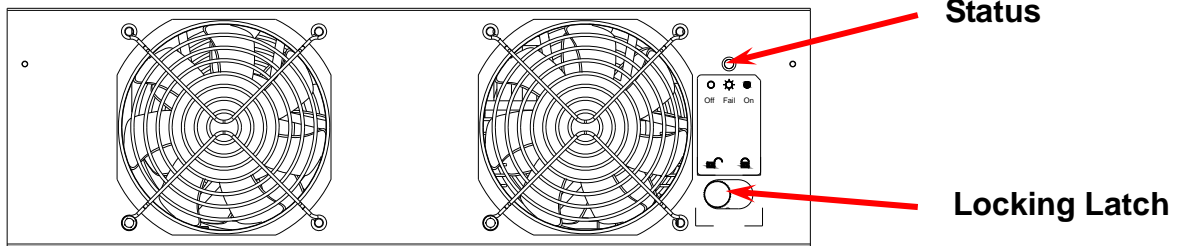


Fig. 3-7 Front View of Power Module

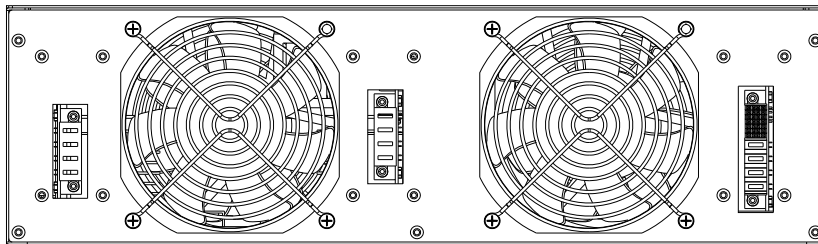


Fig. 3-8 Rear View of Power Module

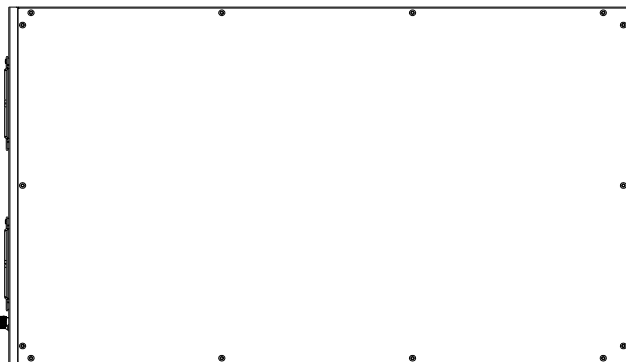


Fig. 3-9 Top View of Power Module



CAUTIONS!

**Power Modules are heavy (~30kg).
Two people are required for handling.**

3-3 Interface

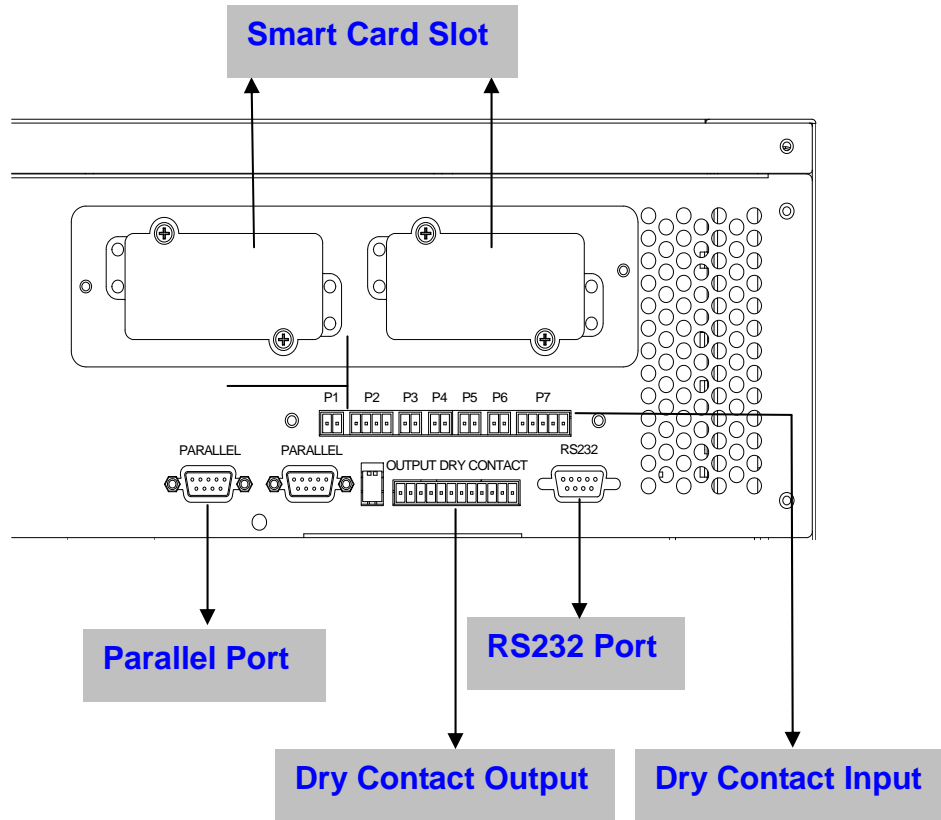


Fig. 3-10 Interface

3-3-1 Dry Contact Input

- P1: REPO (Remote Emergency Power Off)
- P2: Dry contact input (Two sets)
- P3: External Battery Cabinet Temperature 1
- P4: External Battery Cabinet Temperature 2
- P5: External Battery Cabinet Temperature 3
- P6: External Battery Cabinet Temperature 4
- P7: External Battery Status

1. P1: REPO

The NH Plus Series provides a convenient method for users remotely power off the UPS if an emergency event occurs.

Simply connect the cable from remote site to this terminal.

The user may install a button or switch to easily press the button to power off the UPS. This REPO is a normal open contact.

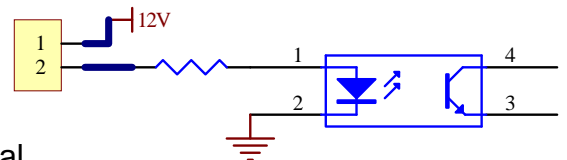


Fig. 3-11 REPO Circuit

2. P2: Dry Contact Input (Two sets)

The NH Plus Series UPS provides two sets of dry contact input to receive external signals and then the UPS can take corresponding response.

These contacts belong to “normal open” type.

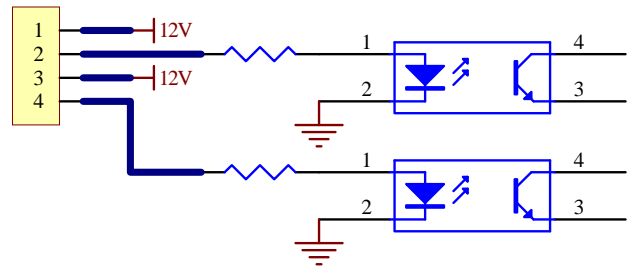


Fig. 3-12 Dry Contact Input

3. P3~P6: External Battery Cabinet Temperature

You can order the optional accessory “sensor kit” to detect the temperature of external battery cabinet.



4. P7: Status of External Battery Cabinet

You can order the optional cable to detect the status of external battery cabinet. This function is only for cabinet ordered from DELTA.

Pin1: +12V

Pin2: The detection cable is connected.

Pin3: Status of external battery cabinet breaker:

- Signal active means the breaker is on.
- Signal inactive means the breaker is off.

Pin4: Reserved

Pin5: Reference voltage



3-3-2 Dry Contact Output

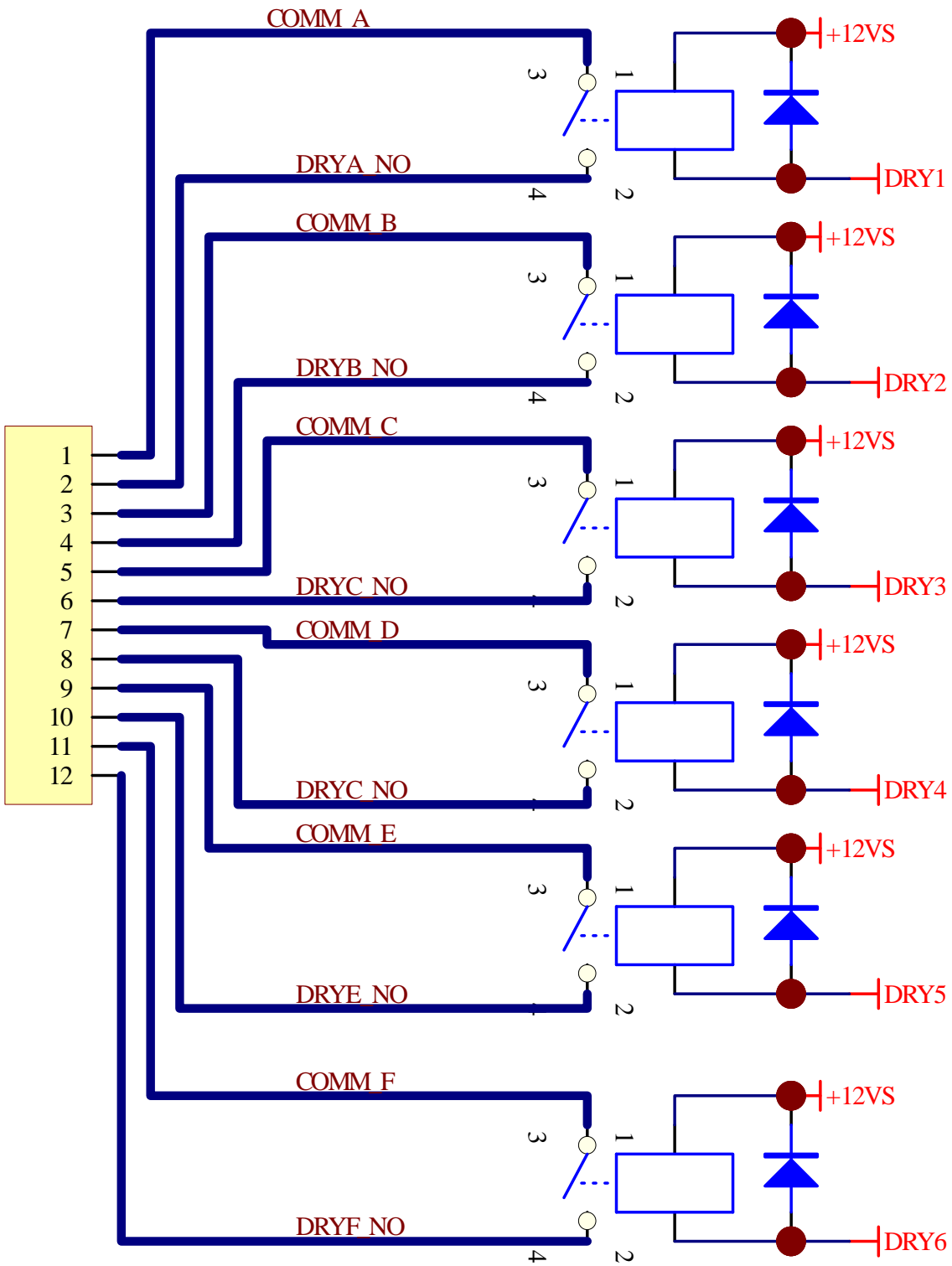


Fig. 3-13 Dry Contact Output

The NH Plus Series UPS provides 6 dry contact outputs. These contacts can be set to normally open or normally close. The default message is shown in the table below.

Contact	Message	Description
Pin1-2	Load on inverter	The UPS is working normally.
Pin3-4	Load on auto bypass	The UPS is in bypass mode.
Pin5-6	Mains1 input fails when loading on inverter	The Utility is blackout or abnormal. The UPS is in backup mode.
Pin7-8	Battery low	The UPS is in backup mode, and the battery voltage is closed to the terminative limit. (The battery voltage is lower than 220V.)
Pin9-10	Bypass input abnormal	The bypass is abnormal (frequency, phase), and the output frequency will follow the rating.
Pin11-12	Battery test failure	Performs the battery test. The battery voltage is lower than the default value.

There are other 13 choices as shown below.

Contact	Message	Description
7.	Internal communication failure	The communication of module is abnormal.
8.	External parallel communication failure	During installation of the parallel redundancy, the parallel communication is abnormal.
9.	Output overload warning/shutdown	The loading is over rated output of the UPS.
10.	Power module fault shutdown	The module fails and the UPS is shut down.
11.	Power module warning	The module has errors, but the UPS can still function normally.
12.	EPO activated	Urgently power off the UPS.
13.	Load on manual bypass	The UPS transfers to manual bypass mode.
14.	Battery cabinet over temperature warning/shutdown	The temperature is too high.
15.	Output voltage abnormal	The output voltage is too high or too low.
16.	Battery need replace	Overdue for battery replacement (Compared with system setup.)
17.	Bypass over temperature warning/shutdown	Bypass “static transfer switch” is over temperature.
18.	Battery ground fault	Grounding error
19.	Bypass static switch fault	The bypass “static transfer switch” is abnormal.

3-3-3 RS232 Port

Use a RS232 cable to connect the computer.
DELTA develops various powerful software such as “UPSentry Smart 2000” and “InsightPower Manager” to integrate the UPS into your system. For more details, refer to Chapter 7.

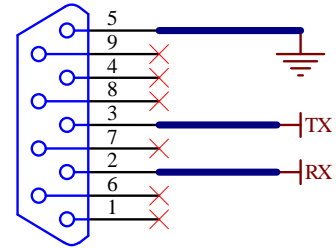


Fig. 3-14 RS232

3-3-4 Parallel Port

For redundancy or expansion installation, you simply connect two UPSs via a parallel communication cable.



Use the parallel communication cable in the accessory pack. Linking the UPS with other cables will result in accidents.

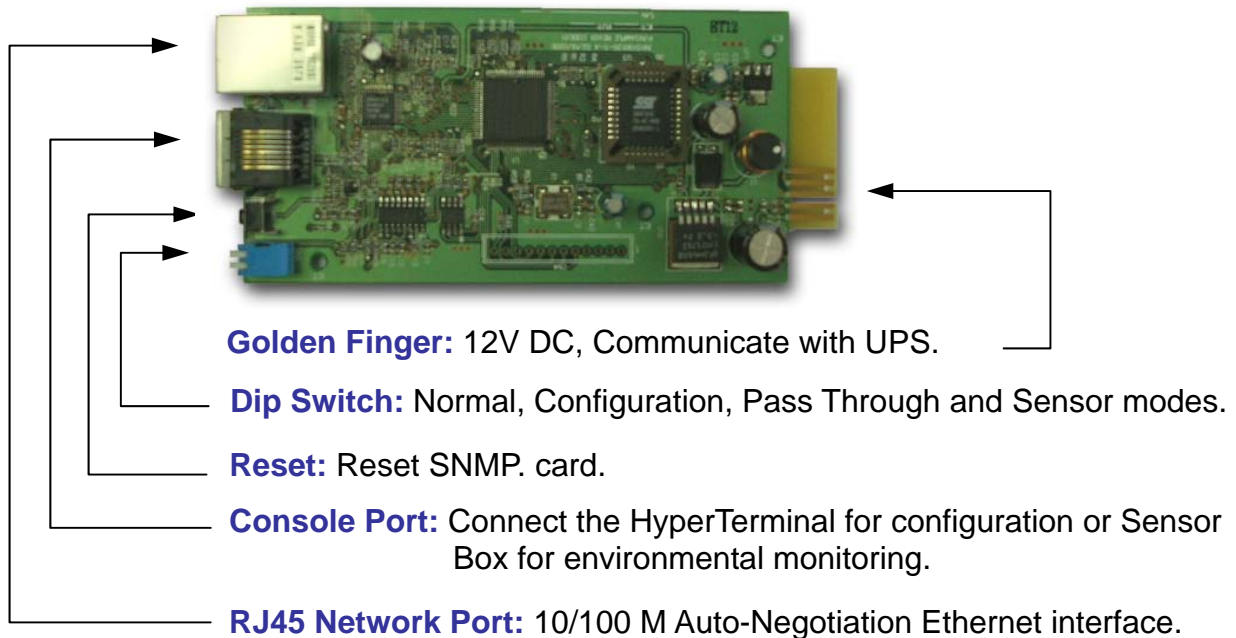
3-3-5 Smart Card Slot

The NH Plus Series UPS provides two smart slots. DELTA develops many powerful smart cards for various applications. There are 5 accessories available as below.

Smart Card	Part No.
SNMP Card	3915100120-S
Programmable Relay I/O Card	3915100147-S
ModBUS Card	3915100422-S
Environmental Sensor	3915100423-S
SNMP+Switching Hub	3915100514-S

Please contact your local dealer or agent for orders.

1. SNMP Card (Part No.: 3915100120-S)



Features:

- ◆ SNMP agent and web server implemented in UPS supporting the following protocols: ARP, IP, ICMP, SNMPv1, SNMPv3 USM, UDP, TCP, HTTP, FTP, TFTP, SMTP, BOOTP, SNTP, DN and Telnet.
- ◆ Security login by MD5 .
- ◆ User level management.
- ◆ Firmware upgrade for new features through TFTP.
- ◆ Batch configuration through FTP.
- ◆ Save event logs and history values of UPS in EEPROM.
- ◆ Scheduled UPS shutdown, restart and test.
- ◆ Wake-On-LAN packet to wake up PC.
- ◆ Send the e-mail and SNMP trap to notify users.
- ◆ Provides InsightPower Client software to protect public operating systems.
- ◆ Provides InsightPower Manager to monitor all the UPS information in the network.
- ◆ Provides the InsightPower EzSetting software to easily configure for the first time and upgrade firmware.

Technical Specification

Network Connection	RJ-45
Temperature	0~40°C
Humidity	10~80% (Relative)
Input Power	9~24V DC
Power Consumption	1 Watt (Maximum)
Dimension (L x W)	130 x 60 mm
Weight	58g

Dip Switch Mode

SW1	SW2	Mode
ON	ON	Configuration
ON	OFF	For Environmental Sensor
OFF	ON	Pass Through
OFF	OFF	Normal

2. Programmable Relay I/O Card (Part No.: 3915100147-S)

Features:

- ◆ The status information on UPS is presented as 6 contact closures and programmable output contacts.
- ◆ UPS event monitoring in various application practices.
- ◆ Configurable UPS shutdown delay time.
- ◆ Configurable input signal during UPS shutdown or battery test.
- ◆ Provides graceful unattended shutdown to protect up to 6 computers.



Technical Specification

Input Power	8 ~ 20VDC
Temperature	0 ~ 40°C
Humidity	10 ~ 80 %
Power Consumption	1.2 Watt.(Maximum)
Dimension(L x W)	130x60mm
Weight	200g

Relay I/O

	Maximum	
	DC Voltage	DC Current
R1~R6	24V	1A
Input	24V	10mA

I/O Definition

GND-R: Relay Grounding		
Common: 12 ~ 24VDC		
	Default	
R1	Summary Alarm	
R2	Input Power Fail	
R3	Battery Low	
R4	UPS in Bypass Mode	
R5	Overload	
R6	Over Temperature	
Input: Remote shutdown or battery test		
Tx: Transmit to PC, connect to RS232 pin-2.		
Rx: Receive from PC, connect to RS232 pin-3.		
GND-C: Ground for configuration, connect to RS232 pin-5.		
	OFF (Default)	ON
SW1	Normally Open	Normally Close
SW2	Default Settings	Customized Settings

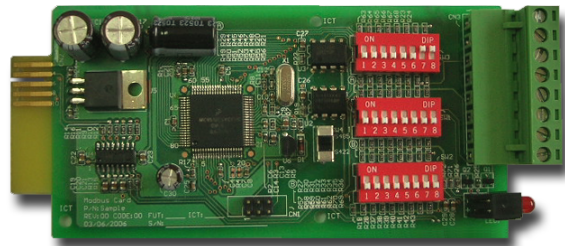
3. ModBUS Card (Part No.: 3915100422-S)

Features:

- ◆ Translate the UPS RS232 protocol into another RS232 and RS422/485 Modbus protocol.
- ◆ Device ID is adjustable by 8 dip switches. The value is from 0 to 255.
- ◆ The RS422/485 terminal resistor is selectable by using dip-switches and easy to install.
- ◆ Baud rate and parity options are also adjustable by using dip switches.
- ◆ 2 LEDs for indicating communication status.

Technical Specification

Input Power	8 ~ 20VDC
Temperature	0 ~ 40°C
Humidity	10 ~ 80 %
Power Consumption	1 Watt. (Maximum)
Dimension (L x W)	130x60mm
Weight	150g



I/O Definition

GND	Ground for RS232
RS232-Tx	Tx to PC
RS232-Rx	Rx from PC
RS422-T+ RS422-D+	T+ for RS422 or D+ for RS485
RS422-T- RS422-D-	T- for RS422 or D- for RS485
RS422-R+	R+ for RS422
RS422-R-	R- for RS422

3-4 Other Optional Accessories

1. Environmental Sensor (Part No.: 3915100423-S)

Features:

- ◆ Real-time temperature/humidity and other environmental condition monitoring.
- ◆ Monitors the status of 4 user-provide contact devices to protect your critical equipments.

Technical Specification

Temperature Range	0°C ~ 65°C
Accuracy	± 2% of full scale
Humidity Range	10% ~ 90%
Accuracy	± 8% (full scale for 15~35°C)
Contact Input	4 sets
Pin-1	Common
Pin-2	Smoke
Pin-3	Fire
Pin-4	Water
Pin-5	Security
Contact Configuration	Normally Open or Normally Close
Dimension (W x D x H)	60 x 50 x 18 mm
Weight	142g

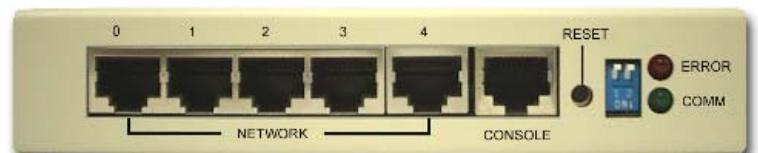


2. SNMP+ Switching Hub (Part No.: 3915100514-S)

Features:

- ◆ Fast Ethernet 5 ports 10/100M smart switching hub.
- ◆ SNMP agent and web server implemented in UPS supporting the following protocols: ARP, IP, ICMP, SNMPv1, SNMPv3 USM, UDP, TCP, HTTP, FTP, TFTP, SMTP, BOOTP, SNTP, DN and Telnet.
- ◆ Security login by MD5.
- ◆ User-level management.
- ◆ Firmware upgrade for new features through TFTP.
- ◆ Batch configuration through FTP.
- ◆ Saves event logs and history values of the UPS in EEPROM.

- ◆ Scheduled UPS shutdown, restart and test.
- ◆ Wake-On-LAN packet to wake up PC.



- ◆ Send the e-mail and SNMP trap to notify users.
- ◆ Provides InsightPower Client software to protect public operating systems.
- ◆ Provides InsightPower Manager to monitor all of the UPS information in the network.
- ◆ Provides InsightPower EzSetting software to easily configure for the first time and upgrade firmware.

Technical Specification

Network Connection	RJ-45
Temperature	0~40°C
Humidity	10~80% (Relative)
Input Power	12V DC
Power Consumption	4.5 Watt. (Maximum)
Dimension (W x D x H)	65x143 x 28 mm
Weight	320g

Dip Switch Mode

SW1	SW2	Mode
ON	ON	Configuration
ON	OFF	Environmental Sensor
OFF	ON	Pass Through Mode
OFF	OFF	Normal

3-5 Technical Specification

Capacity			80KVA/64KW	120KVA/96KW	
Input	Rating Voltage	V	220/380, 230/400, 240/415 (3Φ 4W+Earth)		
	Voltage Regulation	%	-25 ~ +20		
	Input Current Harmonic Distortion (Full Load)	%	< 5		
	PFC (Full Load)		> 0.99		
	Frequency	Hz	50 / 60		
	Frequency Tolerance	Hz	45 ~ 65		
Output	Output Voltage	V	220/380, 230/400, 240/415 (3Φ 4W+Earth)		
	Output Frequency	Hz	50 / 60		
	Total Harmonic (Linear Load)	%	≤3		
	Voltage Regulation	Static	%	±1	
		Dynamic	%	±7 (10% ~ 90% Linear Load)	
	Frequency Regulation	Interior Oscillator	Hz	±0.05	
		Synchronized	%	±5	
Overload		≤ 125%: 10minutes ; ≤ 150%: 1minute			
Audible Warning	Battery Backup		Intermittent		
	UPS Abnormal		Continuous		
Display	LED		UPS status: Normal, Bypass, Backup and Fault		
	LCD		Input/Output, Bypass, Inverter, Frequency, Loading and Battery voltage, current, UPS abnormal message and intelligent self diagnosis		
Remote	Monitor		Monitor up to 31 PCs, Graphically display records and historical data and Fault records retrieved		
	Control		Remote control the Inverter and alarm, setup password and auto-dial warning		
Interface	Standard		RS232, Dry Contact Output		
	Optional		SNMP card, Modbus card, Relay I/O control card, Environmental sensor box, SNMP+5 Ports Hub		
Others	Parallel Redundancy		Yes (1+1 for two UPSs of the same capacity only!)		
	EPO		Standard (Local and Remote)		
	SRAM Event Log		Yes (500 records)		
	Parameter Configuration		Yes		
	Hot Standby Installation		Feasible		
	Battery Temperature Compensation		Optional		
	Battery Start		Standard		
Overall	Efficiency	Normal	%	94	
		ECO	%	97	
	Transfer Time	ms	0		
	Temperature	°C	0~ 40		
	Humidity (Non Condensed)	%	90		
	Noise (One Meter)	dBA	70		
	Dimension	Width	mm	520	520
		Depth	mm	910	975
		Height	mm	1165	1695
	Weight	Kg	259	379	

4. Installation and Wiring

4-1 Before Installation

Due to different installation environment, we strongly recommend that you read this manual carefully before installation. Only qualified service personnel can perform installation and maintenance.

4-2 Package Inspections

External

There are some unpredictable situations that can be possibly encountered during UPS transportation. Therefore, we recommend that you immediately inspect the container for any obvious damage or mishandling.

Internal

1. When you unpack the container, immediately examine the UPS or battery pack cabinet.
2. Check the rating label on the rear side of cabinet. Confirm if the model name and capacity correctly match your original requirements.
3. Examine if the parts are loose or damaged.
4. Examine any accessory is missing. The NH Plus Series has the following accessory:
 - RS232 cable: 1 pcs (Length= 1.8m)
 - Parallel communication cable: 1 pcs (Length= 2m)
 - Remote EPO - wiring connector: 1 set (2 contact module)
 - Input dry contact - wiring connector: 1 set (4 contact module)
 - Output dry contact – wiring connector: 1 set (12 contact module)
 - Power monitoring software CD: 1 pcs



If the following conditions occur:

- **Any damage observed, either external or internal.**
- **Any accessory is missing or damaged,**

Please immediately contact your dealer or local agent for assistance.

4-3 Storing Conditions for Delayed Installation

1. If you have received the UPS and do not perform the installation immediately, be sure to store the UPS under:
 - Temperature below 40°C
 - Relative humidity below 90%
2. If the period of UPS installation is over 6 months, be sure to charge batteries for at least 8 hours before the first use.

Charging procedures:

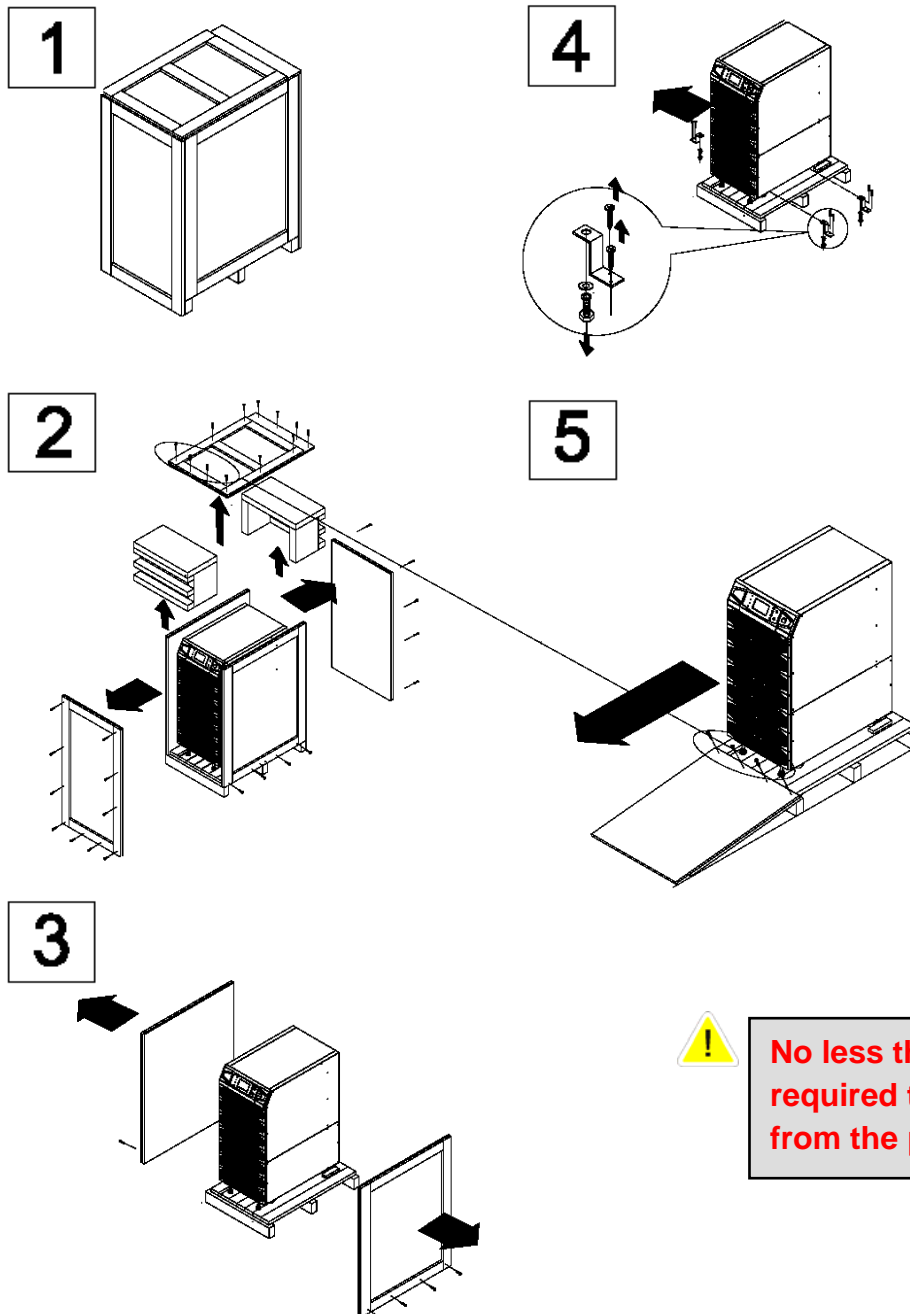
- Connect UPS to the utility power. If there is an external battery pack, connect the cable of battery pack to the UPS.
- The UPS starts up normally. At this time, the UPS will charge the batteries by internal charging circuit.

3. The carton and the original packaging must remain sealed to prevent any possible damage from mouse or similar creatures.



Connect and power the loading only when the battery is fully charged. The purpose is to make sure that the UPS can provide the backup power to loads when a blackout occurs.

4-4 Unpacking Procedures



4-5 Installation Environment and Position

4-5-1 Handling Safety

1. The NH Plus series UPS is equipped with casters so that you can roll the UPS in a short distance to the desired location. During unpacking process, be sure to make full use of manpower and a suitable machine (such as stacker) with sufficient capacity to carefully move the UPS.

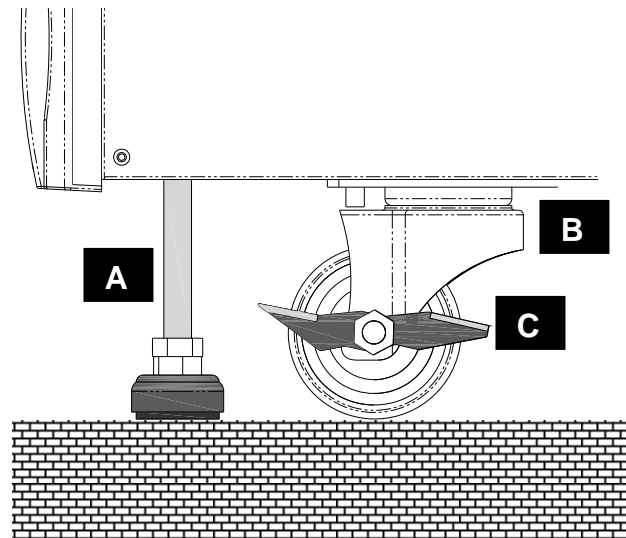


Please pay extremely close attention while unbolting the UPS from the shipping pallet. Prevent any accident resulting from unexpected move.

2. Casters are only suitable for moving on even surface. Avoid moving the UPS on bumpy route, because this may cause damage of UPS or tip-over accident.
3. Push the UPS from either front or rear side otherwise could cause tip-over accident.
4. When the UPS needs a long-distance movement, make use of a suitable machine but not casters of the UPS.

4-5-2 UPS Position

1. Position the UPS or external battery pack by suitable machine.
2. Refer to Table 4-1 and 4-2. Ensure that the UPS is positioned at a suitable floor which can sustain for the weight.
3. After positioning the UPS, ensure to push C (Stop) to “ON” until strictly fastened and adjust leveler to the floor.



A: Leveler
B: Caster
C: Stop

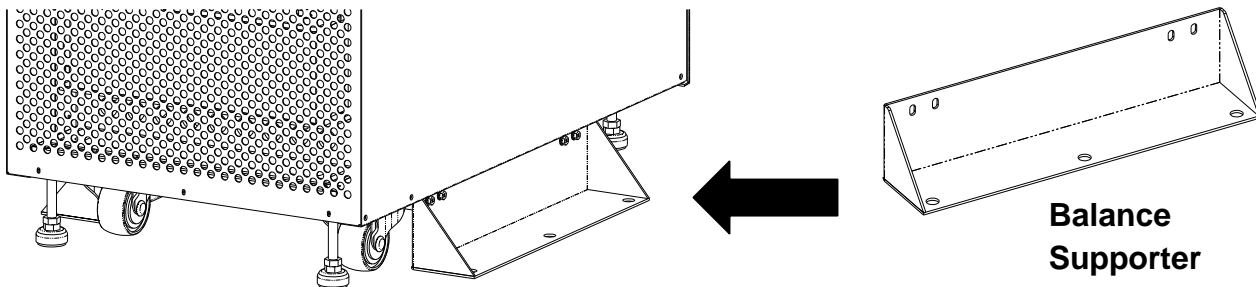
◆ **Table 4-1 Floor Loading for UPS**

Input: 220/380 Vac / Output: 220/380 Vac		
Capacity	80KVA	120KVA
Weight (Kg)	259	379
Floor Loading (kg/m ²)	548	748

◆ **Table 4-2 Floor Loading for External Battery Pack**

Batteries - 40 pcs		
Capacity (Ah)	12V/26AH	12V/40AH
Weight (kg)	470	700
Floor Loading (kg/m ²)	1064	1575

4. Attach the balance supporter to the UPS with bolts.



The UPS may topple over under unexpected conditions without balance supporter. Be sure to mount two balance supporters on both sides of the UPS for safety reasons.

4-5-3 Installation Environment

1. The NH Plus series UPS is for in-house use only. The installation space should be conditioned at temperature of 25°C and relative humidity of <90%. And the maximum operation altitude is 3000 m.
2. The circumstance surrounding the UPS should be kept clean. Prevent any possible damage from mouse or similar objects.
3. The NH Plus Series UPS requires good ventilation and heat dissipation. It features fans for heat dissipation. The air flow circulates from front to the rear bezel. Therefore, we strongly recommend the following:
 - (1) A clearance of at least 100cm in front of UPS should be provided to permit free passage of service engineer and ventilation purpose.
 - (2) A clearance of at least 50cm between rear bezel of UPS and wall should be provided to permit free passage of service engineer and ventilation purpose.
 - (3) A clearance of at least 50cm between the top of UPS and the ceiling should be provided to permit free passage of service engineer.
 - (4) A clearance of at least 100cm in front of external battery cabinet should be provided for maintenance and at least 50cm between rear bezel and the wall should be provided for ventilation.
4. It is recommended that you install fire extinguisher beside the UPS for emergency use.



Do not use any air conditioning or similar facility that blows air directly onto the rear side of the UPS.

4-6 Wiring

4-6-1 Preparations

1. De-energize all input (AC or DC) or output power of the UPS before installing cables or making any electrical connection.
2. Ensure that all cables are correctly marked according to the purpose, as well as the polarity, phase and diameter.
3. If the input/output power of the UPS is WYE-WYE (Y connection), "**Neutral**" and "**Ground**" should not be connected.
If the input power has $V_{NG} > 0$, and client requested the V_{NG} must be 0 volt inside the UPS, the solution is to install an isolation transformer before UPS and input power source. Then, connect "**Neutral**" and "**Ground**" of the UPS together.
4. Make use of suitable conduits and gland to protect I/O wiring according to local regulations. Refer to Table 4-3.

◆ **Table 4-3 Input/Output Electrical Data**

UPS module Quantity	Input (V)	Output (V)	Input Breaker (A)	Cable (mm ²)	Reserve Breaker (A)	Reserve Cable (mm ²)	Output Breaker (A)	Output Cable (mm ²)	Battery Cable (mm ²)	Battery Fuse (A)
1	220/380	220/380	50	10	50	10	50	10	10	60
2	220/380	220/380	75	16	75	16	75	16	16	120
3	220/380	220/380	125	35	125	35	125	35	35	160
4	220/380	220/380	150	25*2	150	25*2	150	25*2	25*2	220
5	220/380	220/380	200	35*2	200	35*2	200	35*2	35*2	260
6	220/380	220/380	250	35*3	250	35*3	250	35*3	35*3	300

* Follow the statute according to the installation region and select a suitable breaker and cable.

* It is recommended to choose a three-pole DC breaker for the battery.

5. Confirm the power phase of R, S and T.
6. Confirm the polarity of battery cable.
7. Connect the ground of external battery cabinet to UPS's ground.
8. Connect the UPS's ground to the protective earth.



Wrong cabling will result in severe accidents or damages of the UPS.

4-6-2 Wiring (Single Unit)

Wiring procedure:

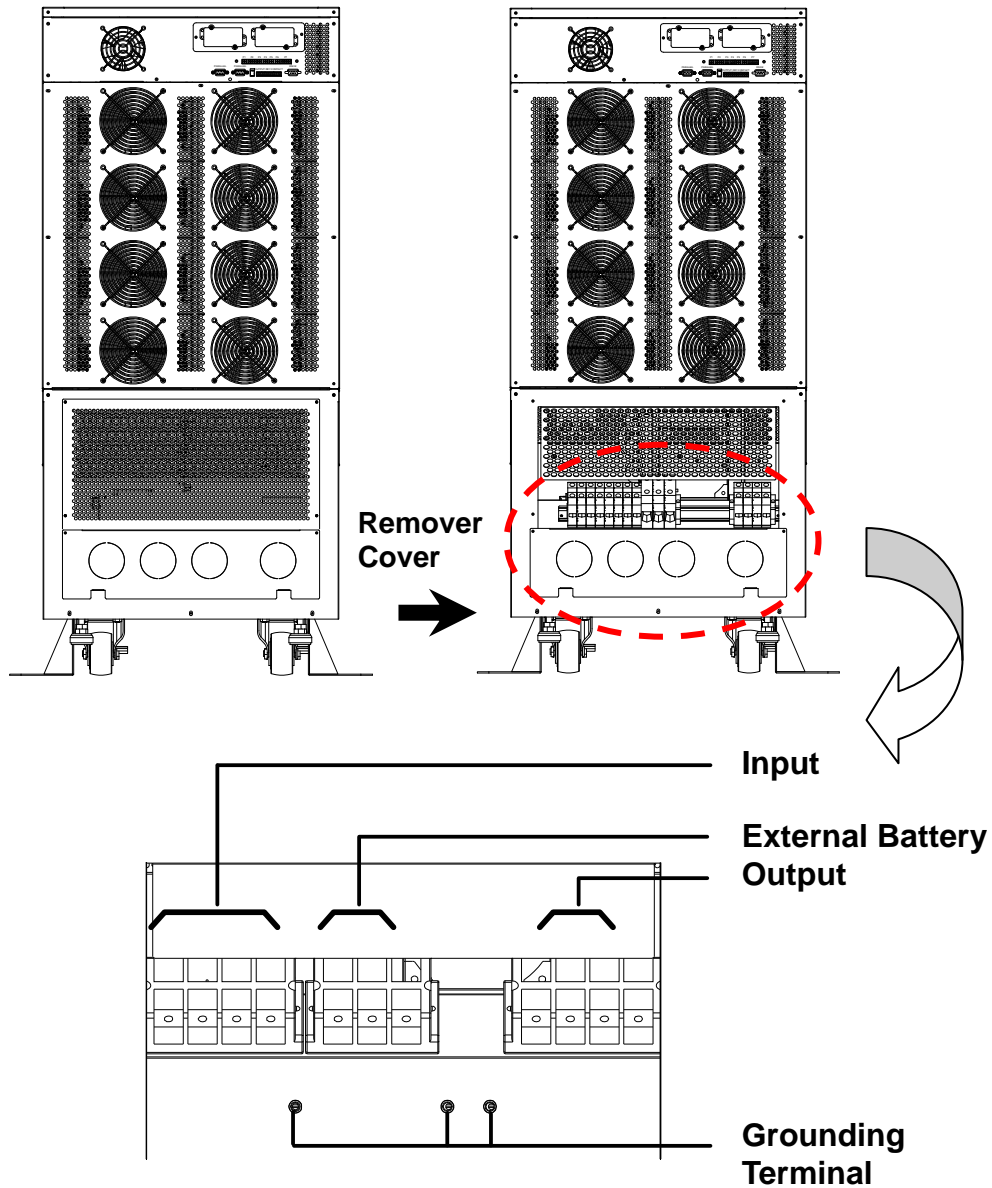


Fig. 4-1 Wiring Terminal

1. Remove the terminal cover at the rear side. See Fig. 4-1.
2. You can see the terminal block with marks as below.
 - ◆ Input / Bypass: R, S, T and neutral
 - ◆ Output: R, S, T and neutral
 - ◆ External Battery: positive(+), negative(-) and neutral
 - ◆ Grounding Terminal: Protection

3. The rated voltage of standard model is 220/380VAC, 230/400VAC or 240/415VAC.
4. The battery rating voltage is $\pm 240\text{VDC}$.
5. Confirm if the input and bypass input circuit breakers (Q1 and Q2) are cut off (Refer to Fig.4-2).
6. Confirm if the manual bypass circuit breaker (Q3) is cut off.
7. Confirm if the output circuit breaker (Q4) of UPS is cut off.
8. According to UPS model you have selected, use suitable cables and lugs (Refer to Table 4-3).
9. Connect all cables to the right terminal or location as indicated. (Refer to Fig. 4-1).

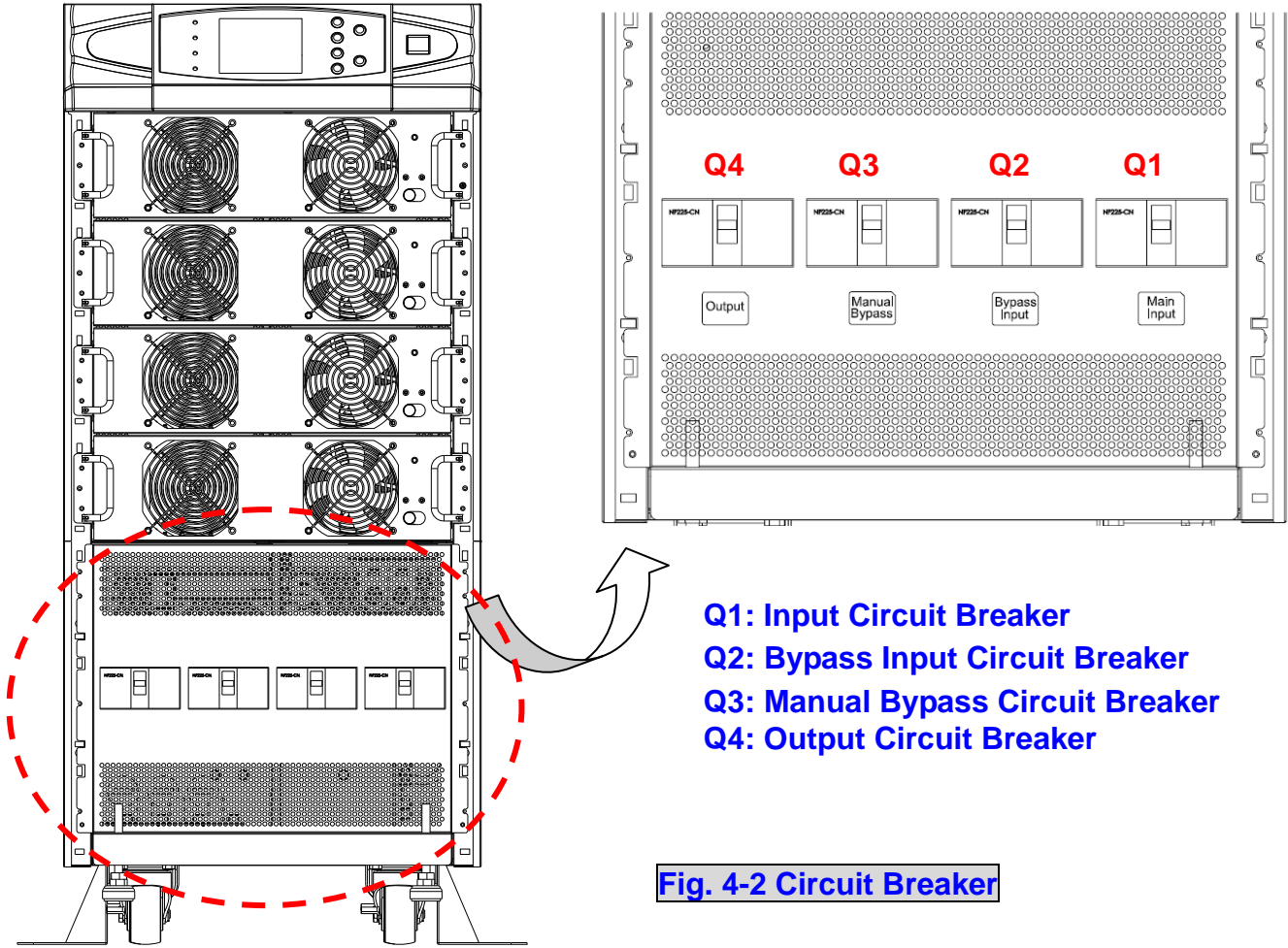


Fig. 4-2 Circuit Breaker

4-6-3 Connecting External Battery Cabinet

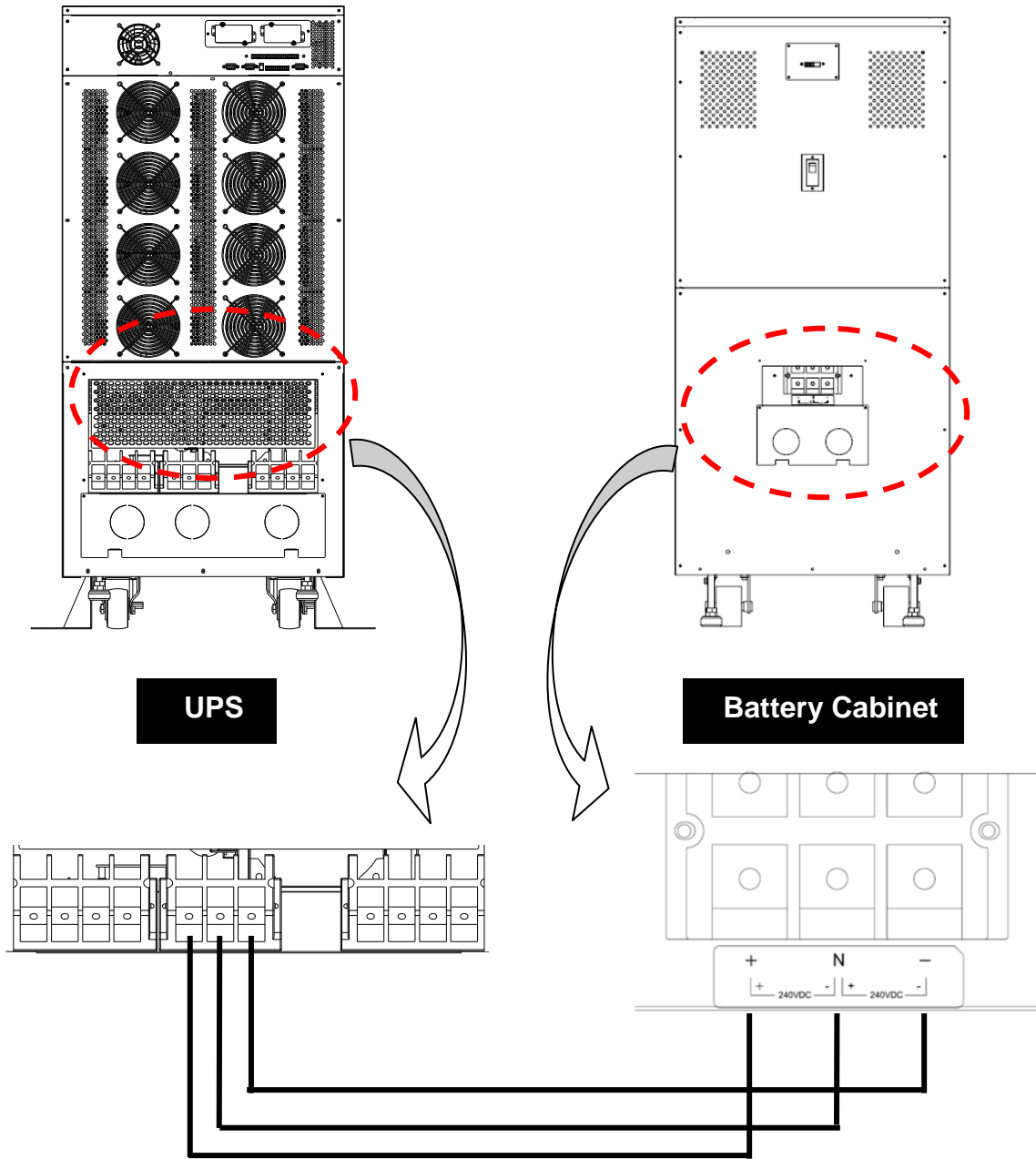


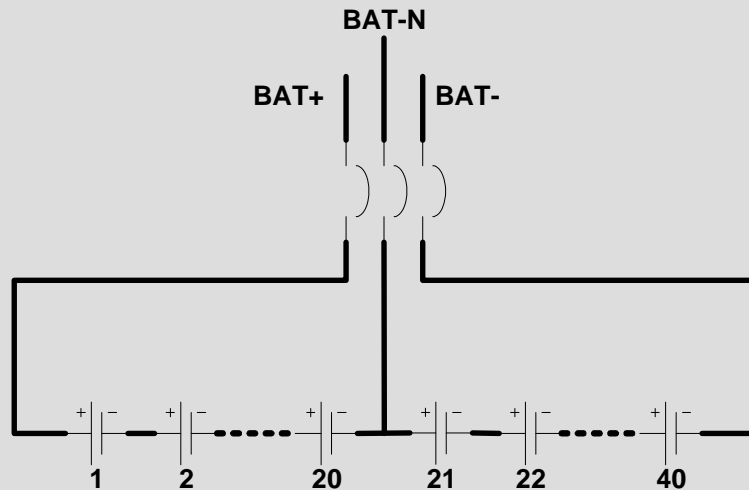
Fig. 4-3 Wiring of External Battery Cabinet

Connect corresponding terminals (+, N, -) between UPS and external battery cabinet.



External Battery Pack Connection:

40 series connected batteries in each string battery pack of UPS. The neutral wire is connected at the point between No.20 and No.21 battery. Totally three wires are connected to the UPS terminal: positive, negative and neutral wires. There must be at less a DC circuit breaker / other kind of over current protection device between the battery and the UPS, and the protective device is closer to the battery is the better. Refer to the following connection diagram for detailed information.



4-6-4 Wiring (Parallel Redundancy, Single Input)

1. Confirm if the input and bypass input breaker (Q1 and Q2) are cut off (Refer to Fig. 4-2).
2. Confirm if the manual bypass circuit breaker (Q3) is cut off.
3. Confirm if the output breaker (Q4) is cut off.
4. According to UPS model you have selected, make use of a suitable cable and lug (Refer to Table 4-3).
5. Connect all cables to the right terminal or location as indicated (Refer to Fig. 4-1).
6. Connect the parallel communication cable between UPS1 and UPS2 (Refer Fig. 4-4).



1. For installation of parallel system, the total cable length of input must be equal to the one of output. This regulation prevents unbalanced load shared by two UPSs under reserve mode.

i.e.: $Res1 + OP1 = Res2 + OP2 =$ (The deviation must be less than 10%)

2. Two UPSs must have the same rating/capacity for parallel installation. Different ratings cannot link together. Otherwise, it may result in accidents.

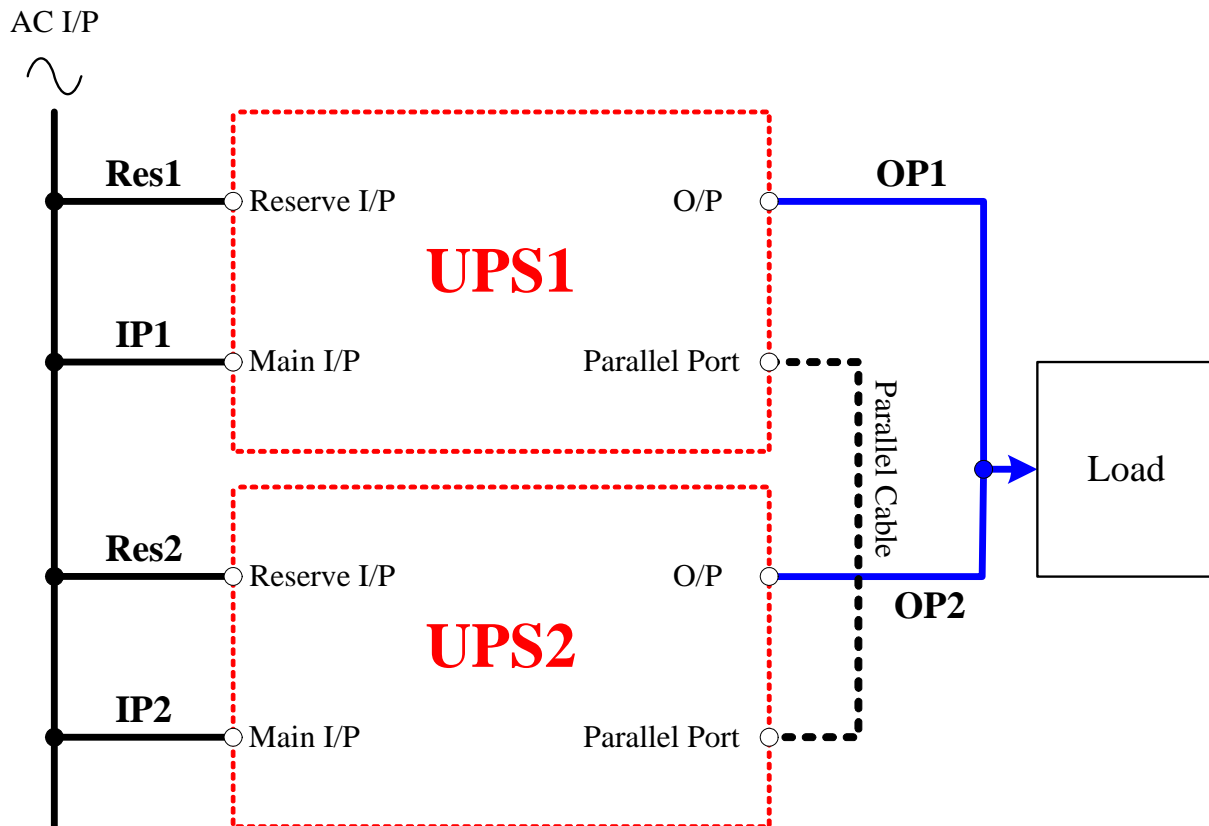


Fig. 4-4 Wiring (Parallel Redundancy, Single Input)

4-6-5 Wiring (Parallel Redundancy, Dual Input)

1. Confirm if the input and bypass input breaker (Q1 and Q2) are cut off (Refer to Fig. 4-2).
2. Confirm if the manual bypass circuit breaker (Q3) is cut off.
3. Confirm if the output breaker (Q4) is cut off.
4. According to UPS model you have selected, make use of a suitable cable and lug (Refer to Table 4-3).
5. Connect all cables to the right terminal or location as indicated (Refer to Fig. 4-1).
6. Connect the parallel communication cable between UPS1 and UPS2 (Refer Fig. 4-5).



1. For installation of parallel system, the total cable length of input must be equal to one of output. This regulation prevents unbalanced load shared by two UPSs under reserve mode.

i.e.: Res1 + OP1 = Res2 + OP2 = (Deviation must be less than 10%)

2. Two UPSs must have the same rating/capacity for parallel installation. Different ratings cannot link together. Otherwise, it may result in accidents.

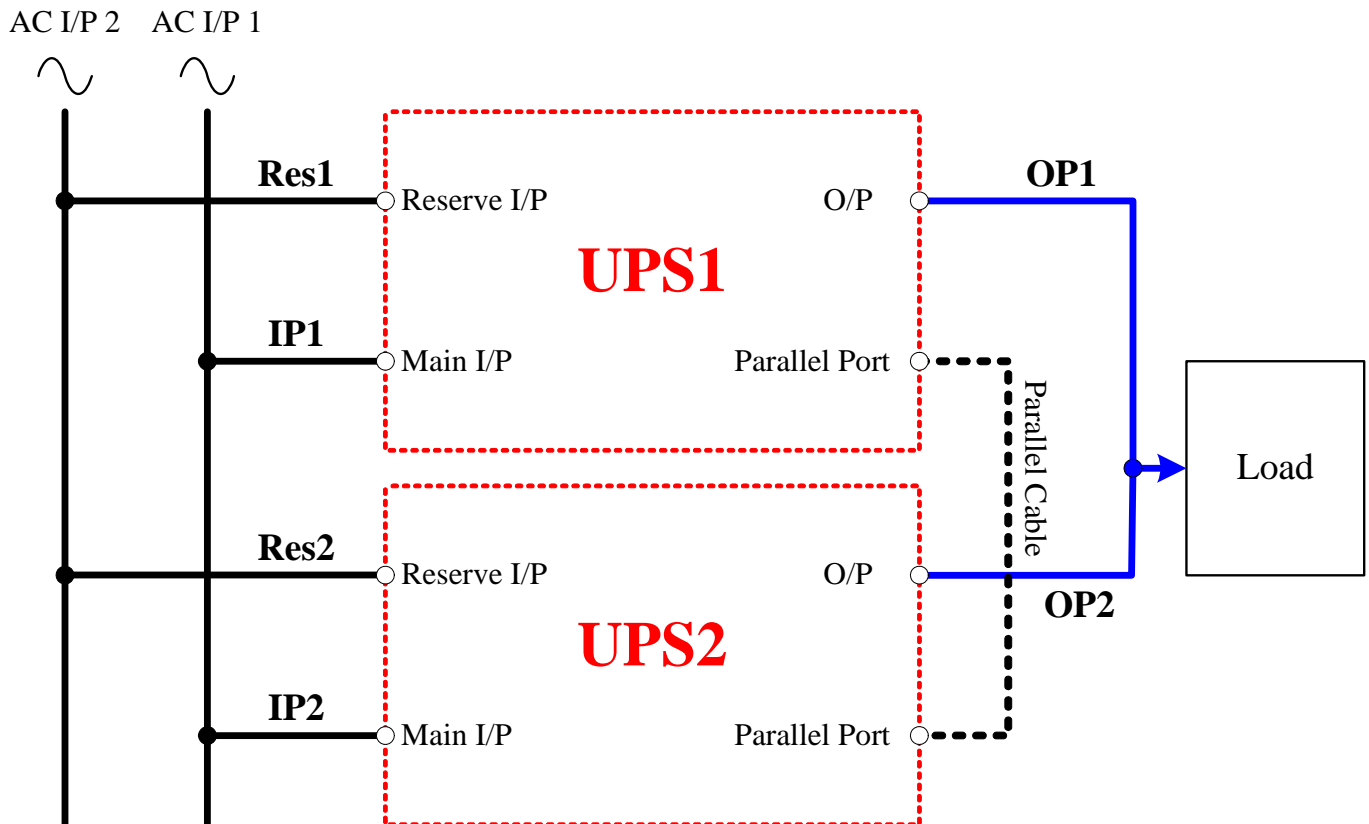


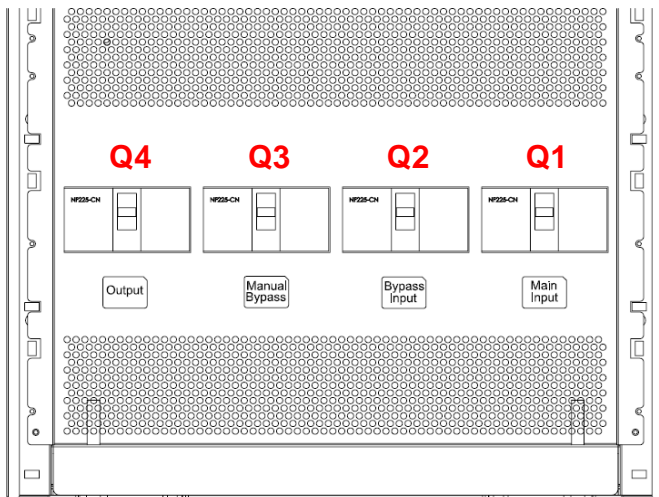
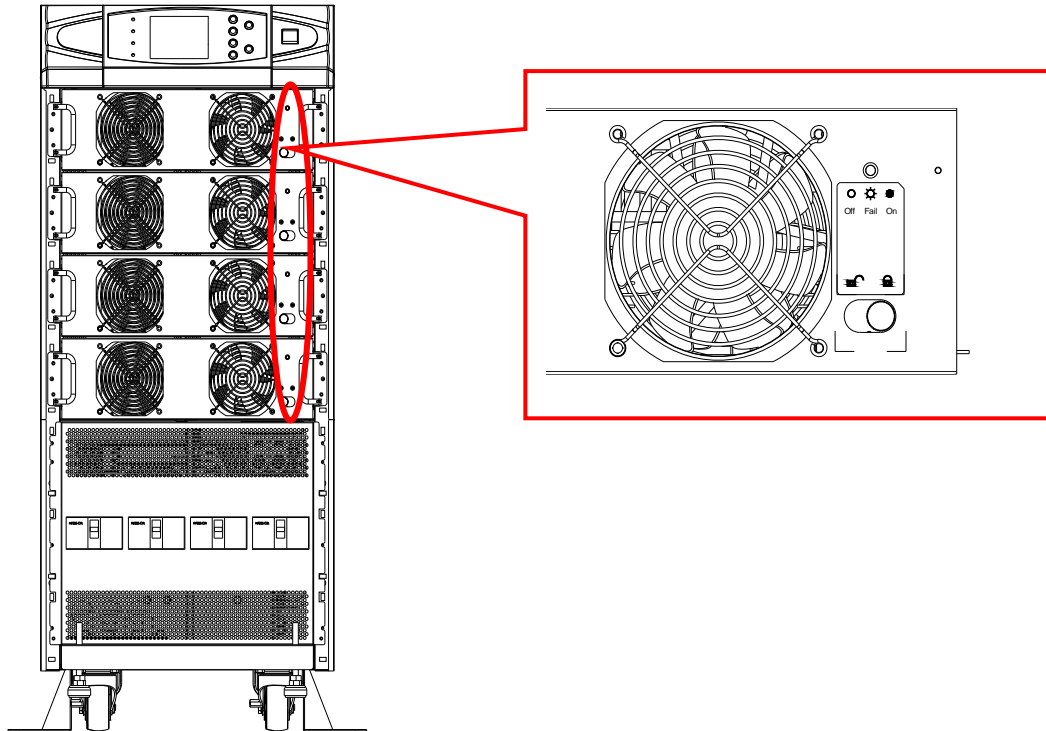
Fig. 4-5 Wiring (Parallel Redundancy, Dual Input)

5. Operating Procedures

5-1 Startup Procedures (Single Unit)

Before starting up the UPS system, be sure to check the following items first.

- ◆ Ensure all circuit breakers are cut off and switched to **OFF**, as well as the breaker or fuse of the external battery cabinet.
- ◆ Confirm if the locking latch is located at “**⚡**”.
- ◆ Confirm if there is no voltage potential between **NEUTRAL** and **Ground**.
- ◆ Confirm if the input power source matches the rated voltage, frequency, phase and battery of the UPS that you have installed.



- Q1: Input Protection Circuit Breaker
- Q2: Bypass Input Protection Circuit Breaker
- Q3: Manual Bypass Protection Circuit Breaker
- Q4: Output Protection Circuit Breaker

If the conditions mentioned above are satisfied, follow the steps below to start up.

1. If there is an external battery cabinet, switch the circuit breaker of battery cabinet to **ON** and confirm if manual bypass protection circuit breaker **Q3** is cut off and switched to **OFF**.
2. Switch on **Q2** and **Q4**.
The LCD monitor will start displaying. After initialization, the LCD screen will show "**ON AUTO BYPASS**". In the meantime, the UPS output is supplied by the bypass source and the LED indicator of "**BYPASS**" will also light on.
3. Switch **Q1** to **ON**. If the input power source is within tolerance range, the UPS power module will be ready to start up.
4. Press the "**I**" button for 3 seconds until you hear a "beep" and then release the button. At this time, the inverter will start the synchronization with bypass source. The UPS will automatically transfer from bypass mode to inverter mode, and the output will be supplied by the inverter. The "**BYPASS**" LED indicator lights off and the "**NORMAL**" LED indicator lights on.

5-2 Battery Startup Procedures (Single Unit)

1. Switch the circuit breaker of external battery cabinet to **ON** and confirm if **Q3** is cut off and switched to **OFF**.
2. Press the "**I**" button for 3 seconds until you hear a "beep" and then release the button.
3. The UPS will start up by DC-bus soft start. The inverter will be activated by adopting the default frequency value.
4. When the inverter startup is completed, the UPS will transfer to Inverter mode and the "**BATTERY**" LED indicator lights on.

5-3 Shutdown Procedures (Single Unit)

This operating procedure can cut off all the power supply. Be sure to confirm if the loads are turned off first! Refer to following steps.

1. Press the "**O**" button for 3 seconds until you hear a "beep" and then release button. The LCD screen will show "**SHUTDOWN UPS?**", then selected "**YES**" and press "**↵**" to confirm.
If the UPS is originally in
 - Normal mode: The UPS will transfer to bypass mode. The LCD screen will show "**ON AUTO BYPASS**".
 - Battery mode: The UPS will shut down the inverter and cut off the output power.
2. Switch off **Q1**.
3. Switch off **Q2**.
4. Confirm if the UPS is turned off and all the circuits are off.
5. If there is an external battery cabinet, switch off the circuit breaker of battery cabinet.
6. Switch off **Q4**.

5-4 Manual Bypass Start up (Single Unit)

If the UPS is in normal mode, press the “**O**” button for 3 seconds until you hear a “beep” and then release the button. The LCD screen will show “**SHUTDOWN UPS?**”, then select “**YES**” and press “**↵**” to confirm. The UPS will automatically transfer to bypass mode.

1. Confirm if the UPS is in bypass mode.
2. Switch on “**Q3**”.
3. Switch off “**Q4**”.



- 1. Only for maintenance purpose, you can manually turn on the bypass switch “Q3”. If you switch on Q3 under normal condition, the inverter will shut down and the output will be supplied by manual bypass source.**
- 2. Manual bypass mode ensures that the UPS supplies the loads from manual bypass source. The service personnel can perform maintenance process under this mode without interrupting the loads. At this moment, the UPS is still supplied by input power source. If the service personnel want to replace any circuit board or component, please power off the UPS (Refer to 5-3) first.**

5-5 Startup Procedures (Parallel Redundancy)

Before starting up the UPS system, be sure to check the following items first.

- ◆ All circuit breakers are cut off and switched to **OFF**, as well as the breaker or fuse of the external battery cabinet.
- ◆ Confirm if the locking latch is located at “**Ⓛ**”.
- ◆ Confirm if there is no voltage potential between **NEUTRAL** and **Ground**.
- ◆ Confirm if the input power source matches the rated voltage, frequency, phase and battery of the UPS that you have installed.



For parallel redundancy installation, you must set the ID code of each UPS as “01” and “02” by configuring the control panel. Refer to Chapter 7.

DIP Switch Setting on rear panel for parallel installation:

Two units parallel:

Dip switches of two units must turn on (on lower side).

Three units parallel:

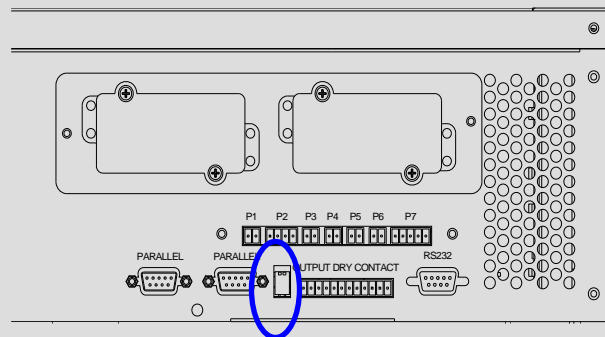
Dip switch of middle unit must turn off (on upper side).

Dip switches of another two units must turn on (on lower side).

Four units parallel:

Dip switches of middle two units must turn off (on upper side).

Dip switches of another two units must turn on (on lower side).



Start up procedure:

If the conditions mentioned above are satisfied, follow the steps below to start up.

1. Connect two UPSs by using the parallel communication cable. Ensure the connector is fastened to the DB9 port.
2. Switch the breaker of external battery cabinet to **ON**.
3. Switch on bypass input protection circuit breaker “**Q2**” of each UPS. The LCD screen will show “**ON AUTO BYPASS**”.
4. Switch on “**Q1**” of each UPS.
5. Press the “**I**” button for 3 seconds until you hear a “beep” and then release the button. The inverter will be activated and synchronize with bypass source.
6. Repeat Step 5 to start up another UPS. When the inverter voltage of both UPSs activates normally, both UPSs will transfer to normal mode at the same time.

7. Check the output voltage deviation per each phase of each UPS (must be less than 5V). If it is normal, switch on “**Q4**” of each UPS.

5-6 Shutdown Procedures (Parallel Redundancy)

If you need to shut down one of the paralleled UPSs:

1. press the “**O**” button on the UPS that you want to shut down for 3 seconds until you hear a “beep” and then release the button. The LCD screen will show “**SHUTDOWN UPS?**”, then select “**YES**” and press “↵” to confirm.
 - If the other UPS can take over the total loads, then the turn-off one will shutdown inverter. The LCD screen shows “**LOAD NOT POWERED**” for the turn-off one. The working UPS shows “**ONLINE MODE**”.
 - If the total loads are greater than one UPS can take over, then both UPSs will shut down the inverter and transfer to bypass mode. Both UPSs show “**ON AUTO BYPASS**”.
2. Switch off “**Q1**” and “**Q4**” of the UPS that you want to shut down.
3. Switch off “**Q2**” of the UPS that you want to shut down.
4. When all the power modules complete the discharging procedures, the LCD screen will be off.
5. Switch off the battery circuit breaker of the external battery cabinet.

5-7 Manual Bypass Startup Procedures (Parallel Redundancy)



Only for maintenance purpose, you can manually turn on the bypass switch. If you switch on Q3 under normal status, the inverter will shut down and the output will be supplied by manual bypass source.

5-7-1 Online Mode Transfers to Manual Bypass Mode

1. press the “O” button of the UPS that you want to shut down for 3 seconds until you hear a “beep” and then release the button. The LCD screen will show “**SHUTDOWN UPS?**”, then select “**YES**” and press “↵” to confirm.
 - If the other UPS can take over the total loads, then the turned-off one will shut down the inverter. The LCD screen shows “**LOAD NOT POWERED**” for the turned-off one. The working UPS shows “**ONLINE MODE**”.
 - If the total loads are greater than one UPS can take over, then both UPSs will shut down the inverter and transfer to bypass mode. Both UPSs show “**ON AUTO BYPASS**”.
2. Repeat Step 1 for another UPS.
3. Switch off “Q1” of both UPSs.
4. Confirm if both UPSs are completely shut down.
5. Switch on “Q3” of both UPSs. Reserve power source supplies the loads. The LCD screen shows “**ON MANUAL BYPASS**”.
6. Switch off “Q4” and “Q2” of both UPSs. The LCD screen will be off.
7. Switch off battery circuit breaker of the external battery cabinet.
8. In this mode, only “Q4” and terminal block has hazard voltage. Service personnel can perform maintenance work.

5-7-2 Transferring from Manual Bypass Mode to Online Mode

1. Switch on the battery circuit breaker of external battery cabinet.
2. Switch on “Q2” and “Q4” of both UPSs.
Switch off “Q3” of both UPSs. The LCD screens of both UPSs show “**ON AUTO BYPASS**”.
3. Switch on “Q1” of both UPSs.
4. Press the “I” button for 3 seconds until you hear a “beep” and then release the button.
5. Repeat Step 5 to start up another UPS. When the inverter voltage of both UPSs activates normally, both UPSs will transfer to normal mode at the same time.


6. Power Module Replacement


6-1 Status LED Indicators for Power Module

Each power module features one LED to help inform the user about the power module status.

LED status:

“OFF”:

When the locking latch is located at “

When the locking latch is located at “

“FLASHING”:

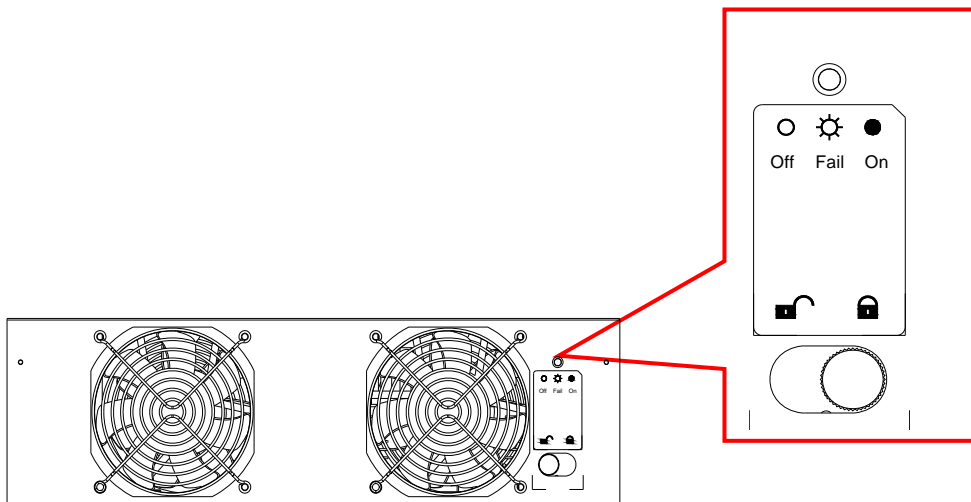
The power module is failed and off line.

“ON”:

The power module is active.

Note:

While releasing the locking latch of power module during normal mode, the power module is off line and discharges the DC bus until the DC bus voltage reaches safety level. Then, the LED will be off.



6-2 Power Module Replacement

WARNING!

Only trained persons familiar with the construction and operation of the equipment, as well as the electrical and mechanical hazards involved, may install and remove system components.

WARNING!

Before removing any Power Module, ensure that the remaining Power Modules can support the load.

Follow the instructions below to replace or install the **Power Module** in the system.

Procedures for Replacing Power Modules

1. Remove the bezel cover of appropriate power module. While replacing a **Power Module**, verify the faulty power module based on status LED indicators and the message on the screen.
2. To de-activate the power module, unscrew the spring-activated knob of locking latch until it pops out and then move the locking latch to located at “●”.
3. Use the screwdriver to unscrew the screws on both sides of power module.



CAUTION

**Power Modules are heavy (30kg).
Two people are required for handling.**

4. Two people stand on both sides of the UPS, then pull out and lift the power module. Reverse procedure for installation of replacement power module.

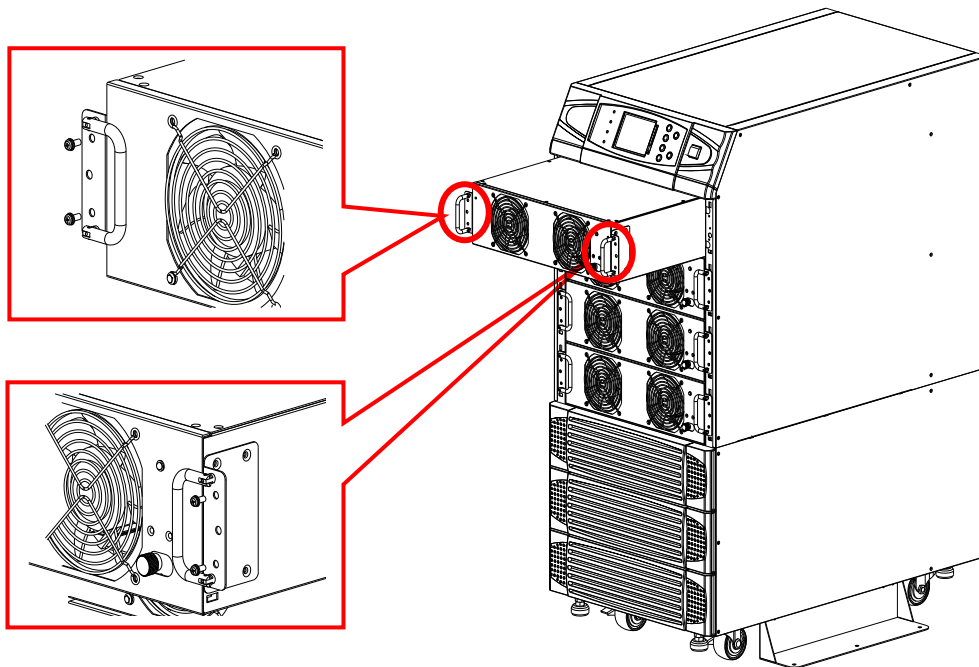
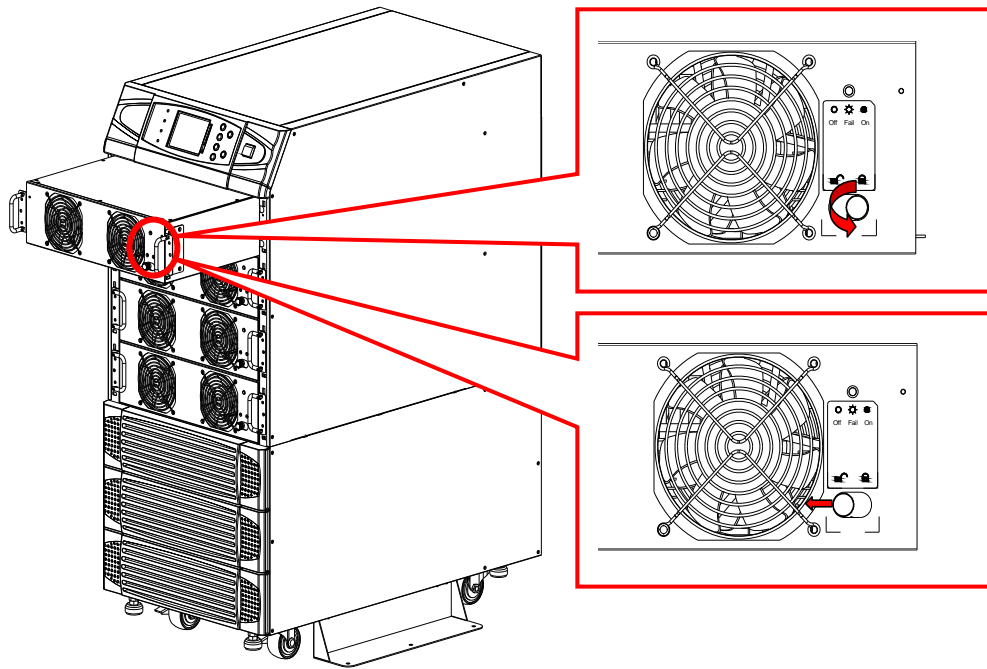


Fig. 4-4 Wiring (Parallel Redundancy, Single Input)

7. Display and Configuration

7-1. Control Panel

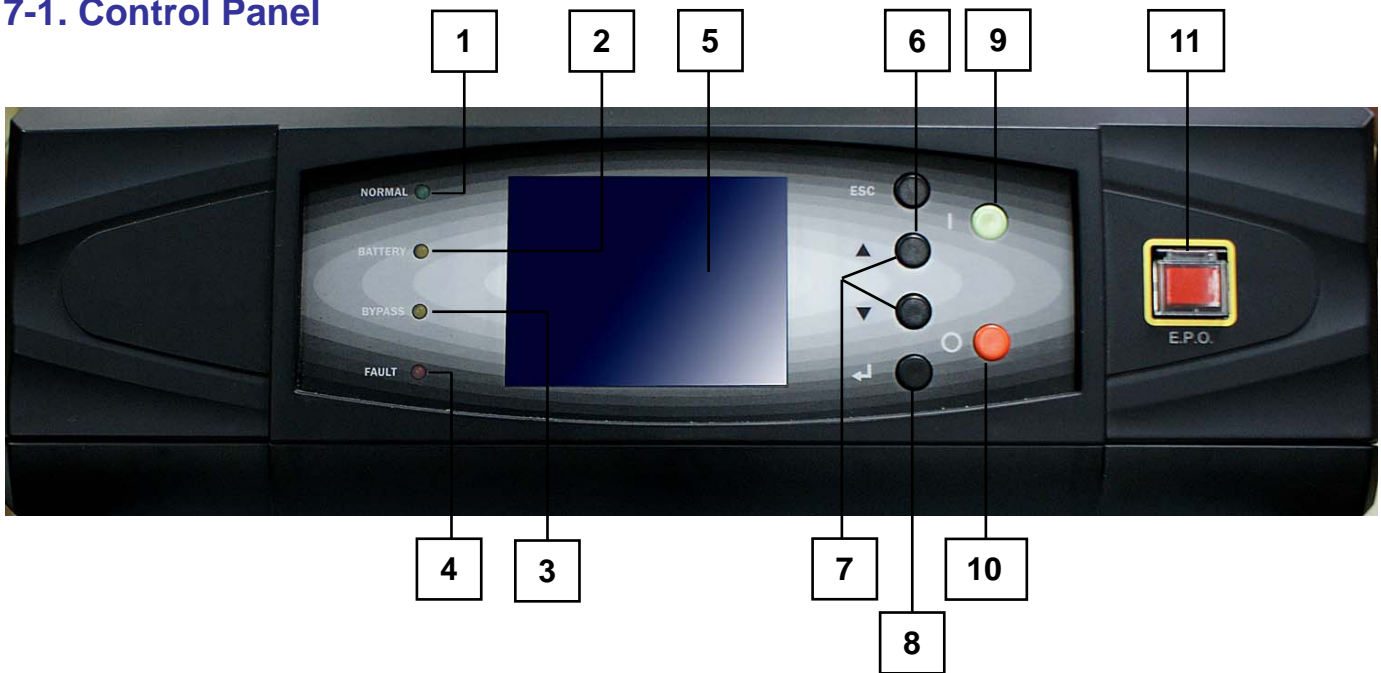


Fig. 7-1 Control Panel

1. Normal (Green): Lights on when the UPS input power is normal.
2. Battery (Amber): Lights on when the UPS is in backup mode.
3. Bypass (Amber): Lights on when the UPS is in manual bypass mode.
4. Fault (Red): Lights on when any fault occurs.
5. LCD Display: Multi-language display (Chinese tradition/Big5, English)
6. ESC: Page up.
- 7,8. Configuration:
 - ▲ and ▼: Cursor up or down.
 - ↵ : Confirm settings.
9. ON: Press for 3 seconds to start up the UPS (Inverter On).
10. OFF: Press for 3 seconds to power off the UPS (Inverter Off).
11. EPO: Emergency Power Off. Press EPO will completely power off the UPS.

7-2 LCD Display

NH Plus Series UPS features a user-friendly LCD screen to show messages.

7-2-1 LCD Display Hierarchy

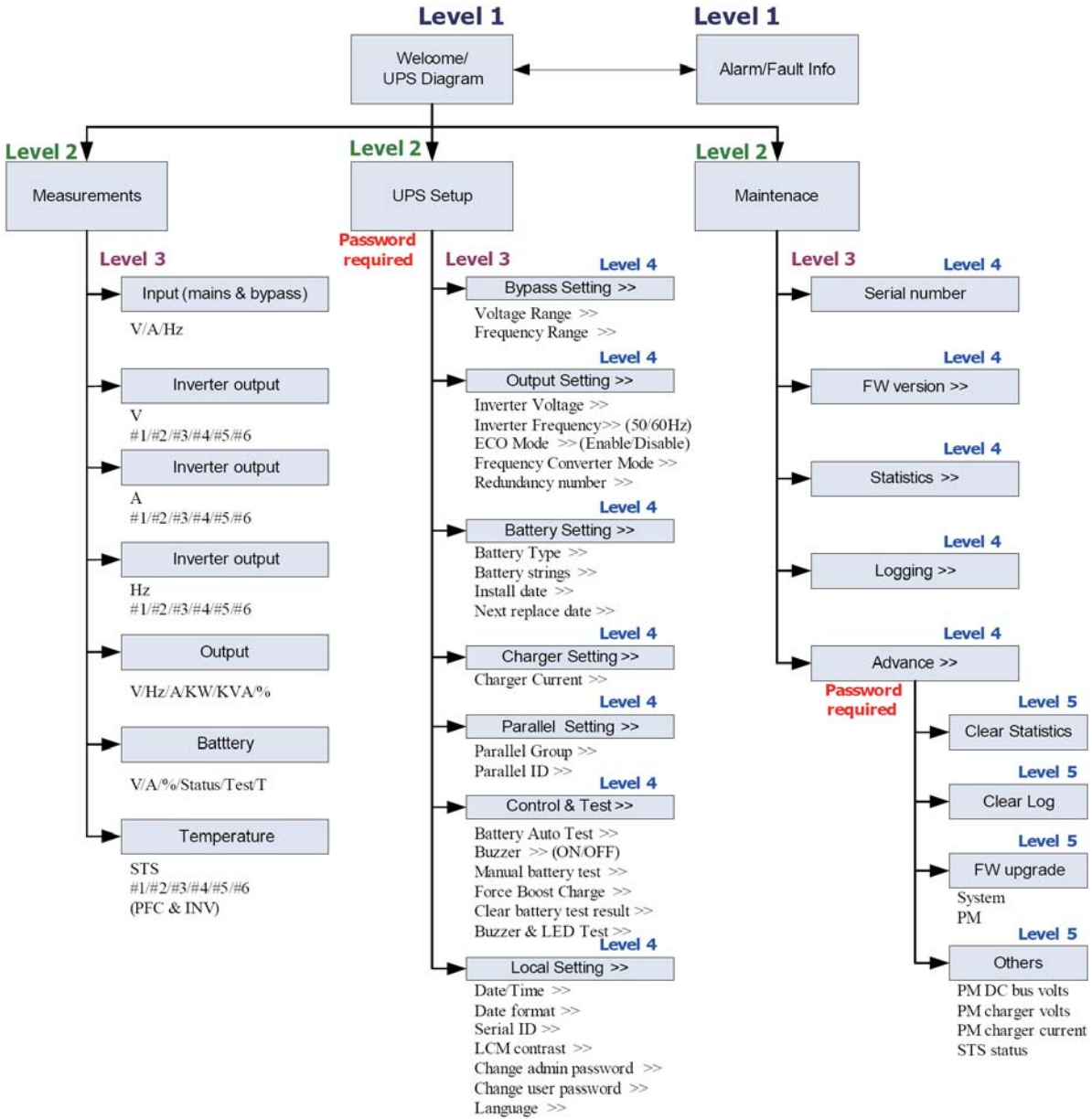
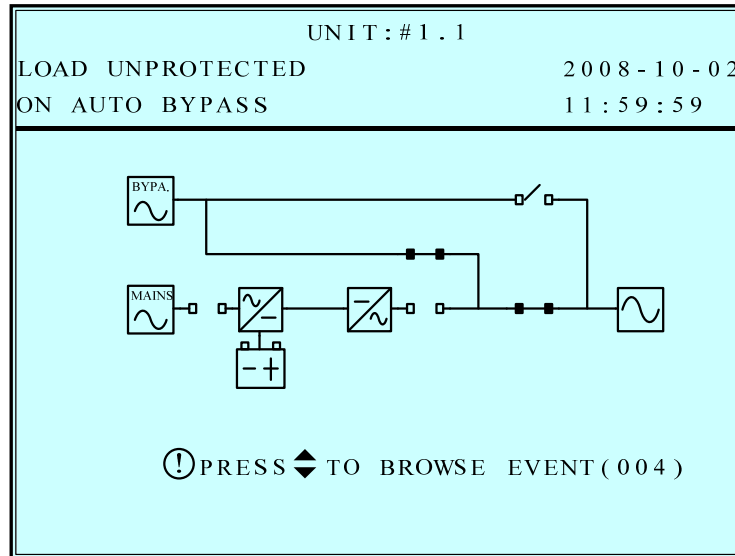


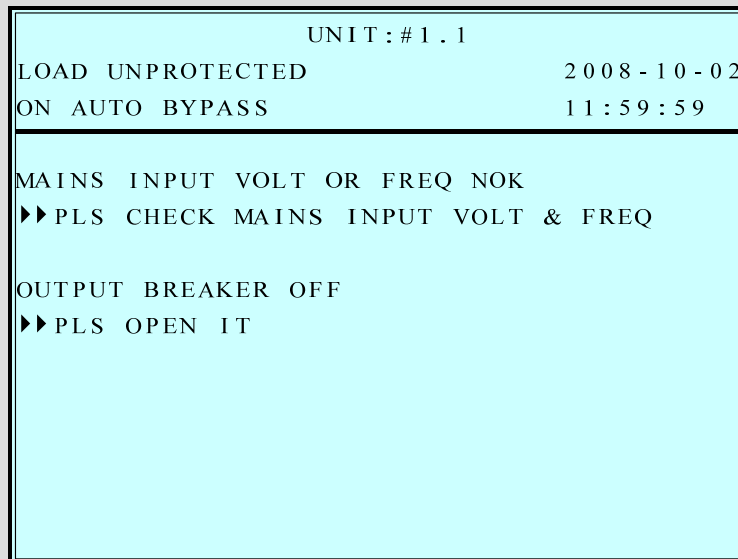
Fig. 7-2 LCD Display Hierarchy

7-3 Default Screen

After the UPS starts up and completes the self test, the screen will show as below.



1. When any event occurs, you will see the sign “!” flashes. You can press “ \blacktriangledown ” to see the details. For example:



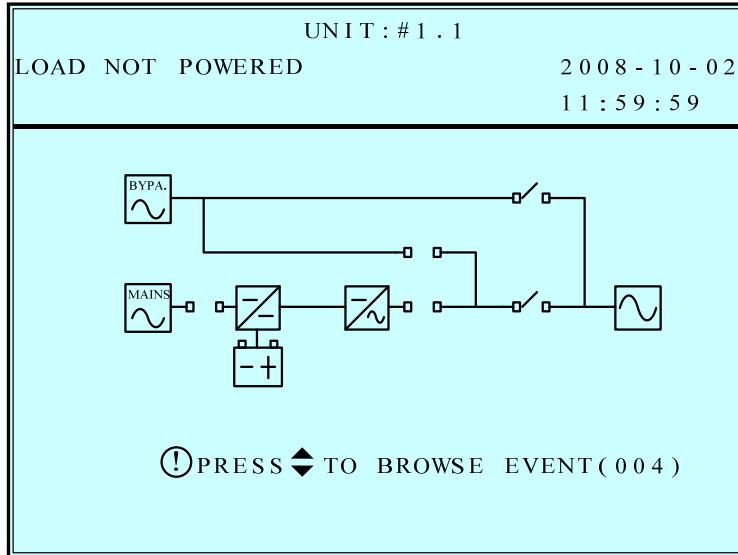
Press “ \blacktriangledown ” again will go to the next message. If there is no further message, the screen will return to the default screen.

2. Press “ESC” at any time will return to the default screen.

7-3-1 Status Display

The LCD screen will show different status of the UPS.

1.

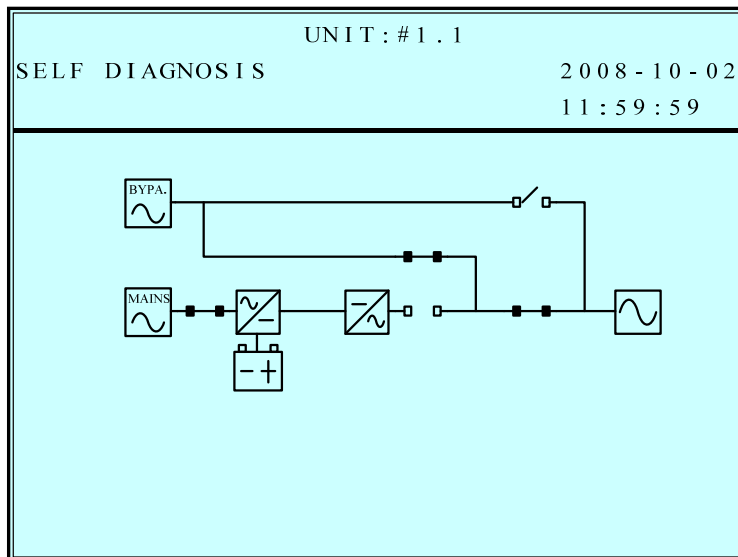


This message means the loads behind UPS are not powered on. The UPS cuts off the output.

Possible causes:

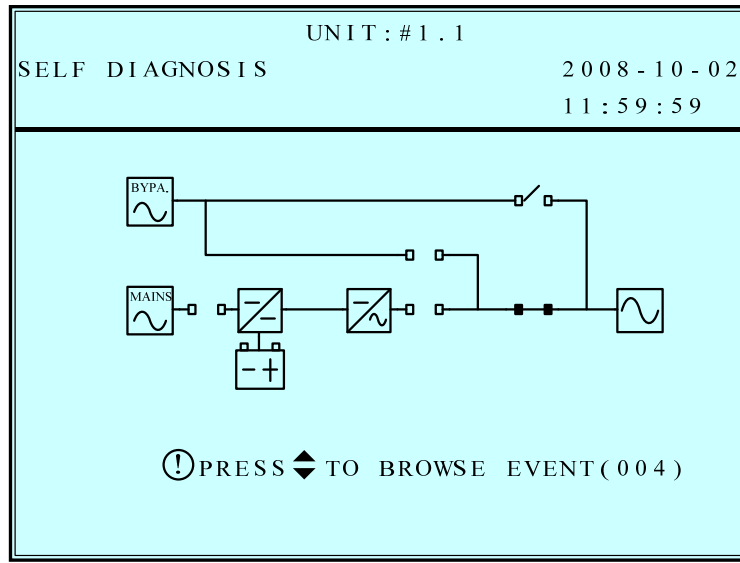
- The UPS automatically shuts down by itself.
- Manually switch off the output circuit breaker.

2.



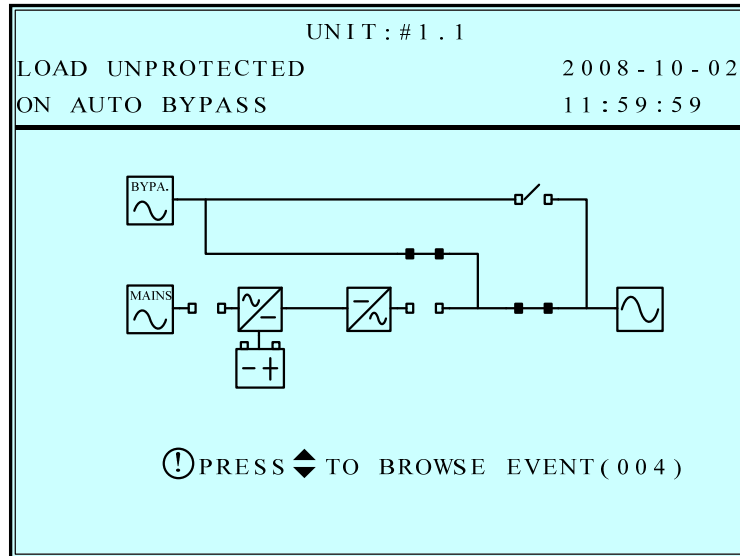
This message means the loads are supplied by bypass source due to initial startup of the UPS.

3.



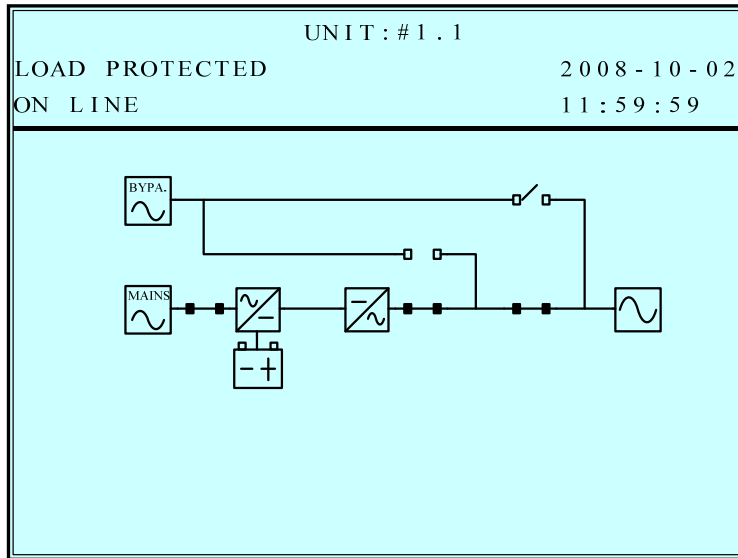
This message means the UPS starts up by battery power.

4.



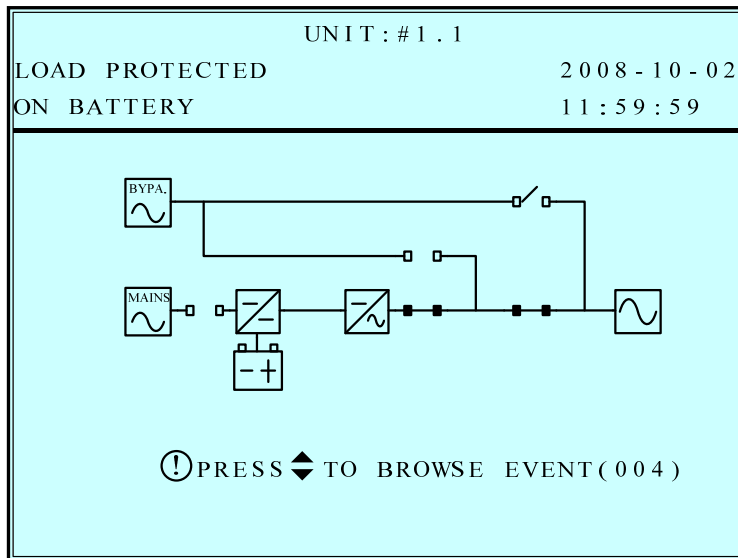
This message means the UPS is in bypass mode. In the mean time, the main power source and battery are cut off. So the loads may lose power if the bypass source suddenly fails.

5.



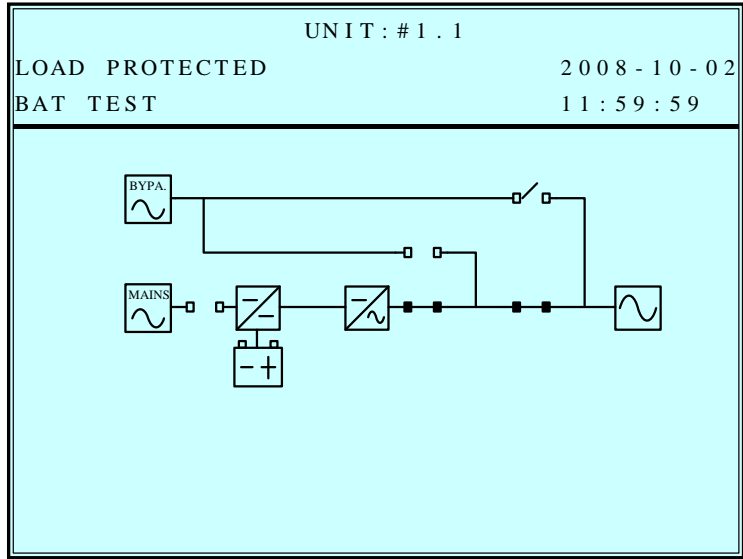
This message means the UPS is operating under normal condition (normal mode).

6.



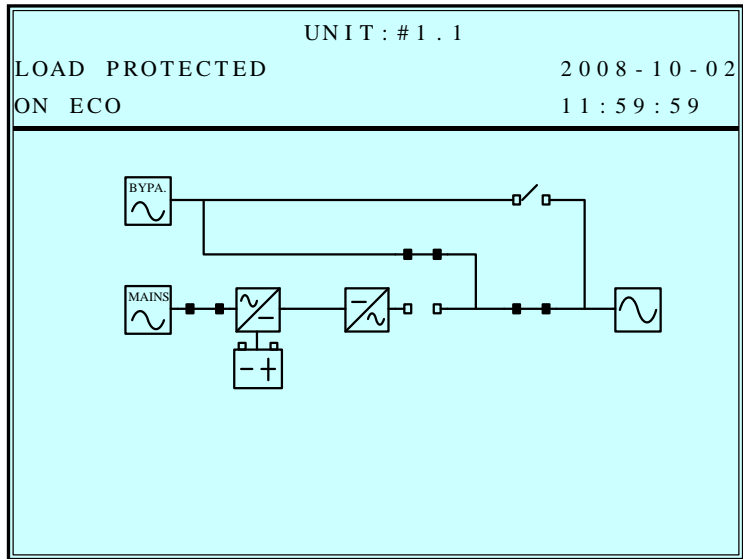
This message means the UPS is in battery backup mode. The loads are supplied by battery power.

7.



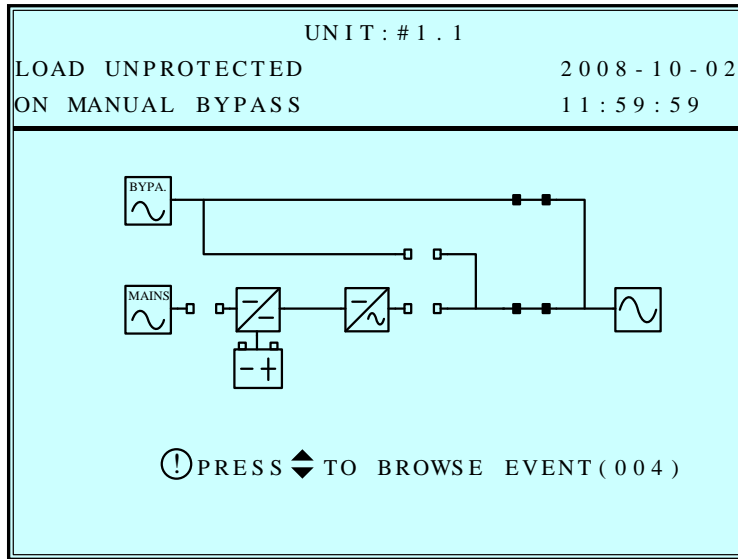
This message means the UPS is performing the “battery test”.

8.



This message means the UPS is in ECO (Economic Operation) mode. The loads are supplied by bypass source.

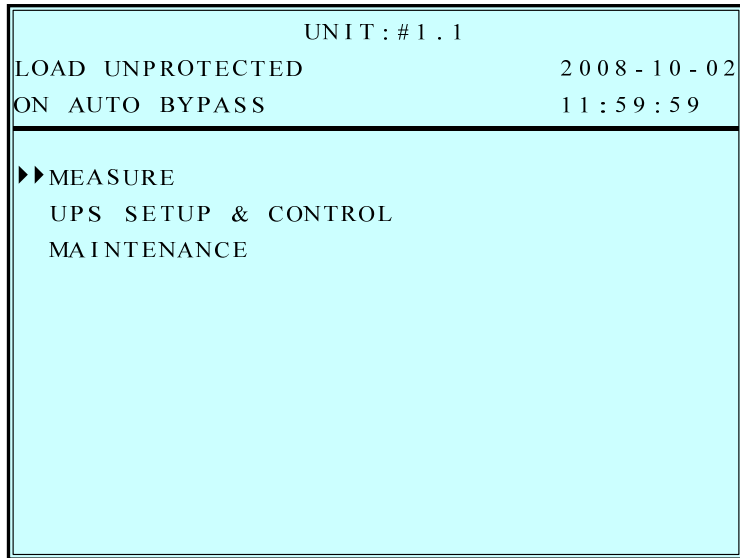
9.



This message means the UPS is in manual bypass mode. When the service personnel performs the maintenance work, the UPS must transfer to this mode first. In the mean time, the main power source and battery are cut off. So the loads may lose the power if the bypass source suddenly fails.

7-4 Main Menu

Press “↵” in default screen will change to the main menu.



Press “▼” or “▲” to select the desired item, then press “↵” to confirm.

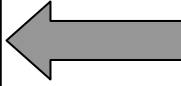
MEASURE

Use “▼” or “▲” to select “**Measure**”, then press “↵” to confirm.

Use “▼” or “▲” to see all the UPS status.

UNIT: #1.1			
LOAD UNPROTECTED		2008-10-02	
ON AUTO BYPASS		11:59:59	
	L1-N/L2	L2-N/L3	L2-N/L3
■ MAINS			
Vphase (V)	221.9	223.7	222.6
Vline (V)	384.5	385.8	384.9
Iphase (A)	4.1	4.2	4.0
FREQ (Hz)	60.0	60.0	60.0
■ BYPASS			
Vphase (V)	221.9	223.7	222.6
Vline (V)	384.5	385.8	384.9
FREQ (Hz)	60.0	60.0	60.0

UNIT: #1.1	
LOAD UNPROTECTED	
2008-10-02	
ON AUTO BYPASS	
12:10:39	
#1 INV T (°C)	38
#2 INV T (°C)	37
#3 INV T (°C)	37
#4 INV T (°C)	38



UNIT: #1.1			
LOAD UNPROTECTED		2008-10-02	
ON AUTO BYPASS		12:09:59	
INVERTER			
	L1-N	L2-N	L3-N
#1 VOLT (V)	220.2	220.3	220.2
#2 VOLT (V)	220.4	220.1	220.4
#3 VOLT (V)	220.3	220.2	220.2
#4 VOLT (V)	220.1	220.1	220.1

UNIT: #1.1	
LOAD UNPROTECTED	
2008-10-02	
ON AUTO BYPASS	
12:10:39	
STATIC SWITCH T (°C)	26
#1 PFC T (°C)	35
#2 PFC T (°C)	36
#3 PFC T (°C)	34
#4 PFC T (°C)	37



UNIT: #1.1			
LOAD PROTECTED		2008-10-02	
ON LINE		12:09:59	
INVERTER			
	L1-N	L2-N	L3-N
#1 CURR (A)	20.2	20.3	20.2
#2 CURR (A)	20.4	20.1	20.4
#3 CURR (A)	20.3	20.2	20.2
#4 CURR (A)	20.1	20.1	20.1

UNIT: #1.1	
LOAD UNPROTECTED	
2008-10-02	
ON AUTO BYPASS	
12:10:39	
BATTERY	
VOLT (V)	+272.4 -272.5
CURRENT (A)	+ 1.1 - 0.9
CAPACITY (%)	99 99
STATUS	CHARGING
TEST RESULT	NONE
BAT #1 T (°C)	
BAT #2 T (°C)	
BAT #3 T (°C)	
BAT #4 T (°C)	



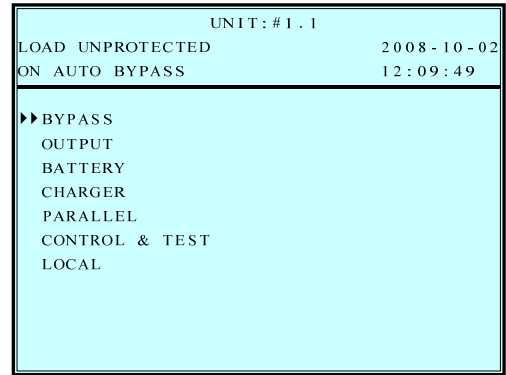
UNIT: #1.1			
LOAD UNPROTECTED		2008-10-02	
ON AUTO BYPASS		12:10:29	
INVERTER			
	L1	L2	L3
#1 FREQ (Hz)	60.0	60.0	60.0
#2 FREQ (Hz)	60.0	60.0	60.0
#3 FREQ (Hz)	60.0	60.0	60.0
#4 FREQ (Hz)	60.0	60.0	60.0

UNIT: #1.1			
LOAD UNPROTECTED		2008-10-02	
ON AUTO BYPASS		12:10:29	
OUTPUT			
	L1-N/L2	L2-N/L3	L3-N/L1
Vphase (V)	220.7	221.2	220.2
Vline (V)	383.2	382.3	380.0
CURRENT (A)	30.1	31.2	31.1
FREQ (Hz)	60.0	60.0	60.0
LOAD (%)	31	32	32
KVA	6.6	6.6	6.6
KW	6.6	6.6	6.6



7-5 UPS SETUP

Use “▼” or “▲” to select “Measure”, then press “↵” to access the “UPS SETUP” menu.



Before changing the setting of each **SETUP**, you have to login first.

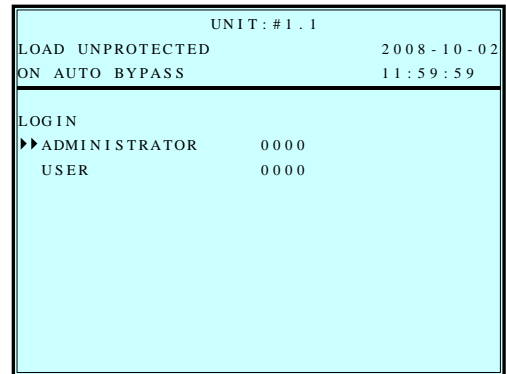
1. The login screen is shown at the right. Move the cursor to select your correct ID, then press “↵” to go to the next page.

ADMINISTRATOR:

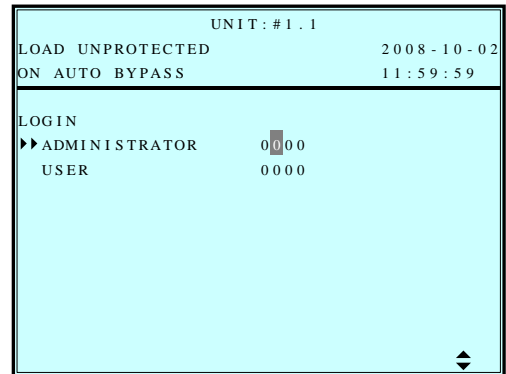
Qualified service personnel

User:

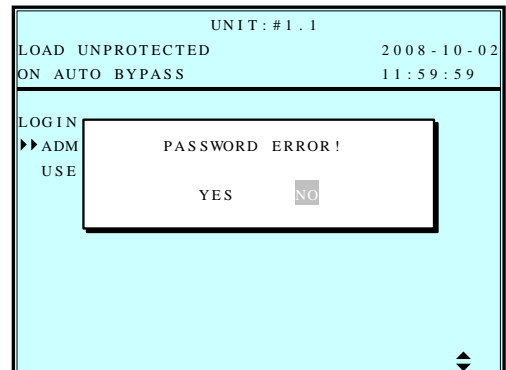
The authorization is only to check the parameter but not to configure.



2. The password consists of 4 digitals. Use “▼” or “▲” to select the first number, then press “↵” for the next digital. After all digitals are selected, press “↵” to confirm the selection.



3. If the password is wrong, press “↵” to reselect.



a. BYPASS SETUP

Use “▼” or “▲” to select “BYPASS”, then press “↵” to confirm.

1. Use “▼” or “▲” to select “VOLT RANGE” or “FREQ RANGE”, then press “↵” to confirm.

UNIT: #1.1	
LOAD UNPROTECTED	2008-10-02
ON AUTO BYPASS	11:59:59
BYPASS SETUP	
▶▶ VOLT RANGE (220V / +-)	15%
FREQ RANGE (50Hz / +-)	5.0

2. Use “▼” or “▲” to select the voltage range, then press “↵” to confirm.

UNIT: #1.1	
LOAD UNPROTECTED	2008-10-02
ON AUTO BYPASS	11:59:59
BYPASS SETUP	
✎ VOLT RANGE (220V / +-)	15%
FREQ RANGE (50Hz / +-)	5.0

3. Use “▼” or “▲” to select the frequency range, then press “↵” to confirm.

UNIT: #1.1	
LOAD UNPROTECTED	2008-10-02
ON AUTO BYPASS	11:59:59
BYPASS SETUP	
VOLT RANGE (220V / +-)	15%
✎ FREQ RANGE (50Hz / +-)	5.0

Press “ESC” to return to the “UPS SETUP” menu.

b. OUTPUT SETUP

Use “▼” or “▲” to select “OUTPUT SETUP”, then press “↵” to confirm.



All parameters in this segment can only be changed under “Bypass Mode”.

1. Use “▼” or “▲” to select the desired item, then press “↵” to confirm.

UNIT: #1.1	
LOAD UNPROTECTED	2008-10-02
ON AUTO BYPASS	11:59:59
OUTPUT SETUP	
▶▶ VOLT(V)	220
FREQ(Hz)	50
ECO	ON OFF
FREQ CONV	ON OFF
REDUNDANCY(PWR UNIT)	0

2. Output Voltage

Use “▼” or “▲” to select the desired output voltage, then press “↵” to confirm.

(The voltage range is from 220 to 240Vac.)

UNIT: #1.1	
LOAD UNPROTECTED	2008-10-02
ON AUTO BYPASS	11:59:59
OUTPUT SETUP	
✎ VOLT(V)	220
FREQ(Hz)	50
ECO	ON OFF
FREQ CONV	ON OFF
REDUNDANCY(PWR UNIT)	0

3. Output Frequency

Use “▼” or “▲” to select the desired frequency, then press “↵” to confirm.

(This output frequency is for battery start condition or when the frequency converter mode is enabled!)

UNIT: #1.1	
LOAD UNPROTECTED	2008-10-02
ON AUTO BYPASS	11:59:59
OUTPUT SETUP	
VOLT(V)	220
✎ FREQ(Hz)	50
ECO	ON OFF
FREQ CONV	ON OFF
REDUNDANCY(PWR UNIT)	0

4. ECO mode

Use “▼” or “▲” to select the desired mode, then press “↵” to confirm.

UNIT: #1.1	
LOAD UNPROTECTED	2008-10-02
ON AUTO BYPASS	11:59:59
OUTPUT SETUP	
VOLT(V)	220
FREQ(Hz)	50 60
ECO	ON OFF
FREQ CONV	ON OFF
REDUNDANCY(PWR UNIT)	0

5. Frequency Converter Mode

Use “▼” or “▲” to select the desired mode, then press “↵” to confirm.

UNIT: #1.1	
LOAD UNPROTECTED	2008-10-02
ON AUTO BYPASS	11:59:59
OUTPUT SETUP	
VOLT(V)	220
FREQ(Hz)	50 60
ECO	ON OFF
FREQ CONV	ON OFF
REDUNDANCY(PWR UNIT)	0

6. Redundancy

Use “▼” or “▲” to select the desired number for redundancy, then press “↵” to confirm.

UNIT: #1.1	
LOAD UNPROTECTED	2008-10-02
ON AUTO BYPASS	11:59:59
OUTPUT SETUP	
VOLT(V)	220
FREQ(Hz)	50 60
ECO	ON OFF
FREQ CONV	ON OFF
REDUNDANCY(PWR UNIT)	0

Press “ESC” to return to the “UPS SETUP” menu.

c. BATTERY SETUP

Use “▼” or “▲” to select “BATTERY”, then press “↵” to confirm.



All parameters in this segment can only be changed under “Bypass Mode”.

1. Use “▼” or “▲” to select the desired item, then press “↵” to confirm.

UNIT: #1.1	
LOAD UNPROTECTED	2008-10-02
ON AUTO BYPASS	11:59:59
BATTERY SETUP	
▶▶ TYPE (AH)	40
BAT STRINGS	1
INSTALL DATE (Y-M-D)	08-10-01
NEXT REPLACE DATE (Y-M-D)	10-10-01
TEST DURATION (SEC)	10

2. Battery Type
Use “▼” or “▲” to select the desired battery capacity, then press “↵” to confirm.

UNIT: #1.1	
LOAD UNPROTECTED	2008-10-02
ON AUTO BYPASS	11:59:59
BATTERY SETUP	
✎ TYPE (AH)	40
BAT STRINGS	1
INSTALL DATE (Y-M-D)	08-10-01
NEXT REPLACE DATE (Y-M-D)	10-10-01
TEST DURATION (SEC)	10

3. Battery Strings
Use “▼” or “▲” to select the desired number of battery strings, then press “↵” to confirm.

UNIT: #1.1	
LOAD UNPROTECTED	2008-10-02
ON AUTO BYPASS	11:59:59
BATTERY SETUP	
TYPE (AH)	40
✎ BAT STRINGS	1
INSTALL DATE (Y-M-D)	08-10-01
NEXT REPLACE DATE (Y-M-D)	10-10-01
TEST DURATION (SEC)	10

4. Battery Install Date

Use “▼” or “▲” to set the installation date, then press “↵” to confirm.

UNIT: #1.1	
LOAD UNPROTECTED	2008-10-02
ON AUTO BYPASS	11:59:59
BATTERY SETUP	
TYPE (AH)	40
BAT STRINGS	1
✎ INSTALL DATE (Y-M-D)	08-10-01
NEXT REPLACE DATE (Y-M-D)	10-10-01
TEST DURATION (SEC)	10

5. Battery Next Replace Date

Use “▼” or “▲” to set the next replace date, then press “↵” to confirm.

(Reach the replace date, the UPS will alarm the message in LCD display.)

UNIT: #1.1	
LOAD UNPROTECTED	2008-10-02
ON AUTO BYPASS	11:59:59
BATTERY SETUP	
TYPE (AH)	40
BAT STRINGS	1
INSTALL DATE (Y-M-D)	08-10-01
✎ NEXT REPLACE DATE (Y-M-D)	10-10-01
TEST DURATION (SEC)	10

6. Battery Test Duration

Use “▼” or “▲” to select the battery test duration, then press “↵” to confirm.

UNIT: #1.1	
LOAD UNPROTECTED	2008-10-02
ON AUTO BYPASS	11:59:59
BATTERY SETUP	
TYPE (AH)	40
BAT STRINGS	1
INSTALL DATE (Y-M-D)	08-10-01
NEXT REPLACE DATE (Y-M-D)	10-10-01
✎ TEST DURATION (SEC)	10

Press “ESC” to return to the “UPS SETUP” menu.

d. CHARGER SETUP

Use “▼” or “▲” to select “CHARGER”, then press “↵” to confirm.

1. Press “↵” to set the charging current.

UNIT: #1.1	
LOAD UNPROTECTED	2008-10-02
ON AUTO BYPASS	11:59:59
CHARGER SETUP	
▶▶CHARGER CURRENT(A)	3

2. Press “▼” or “▲” to change the charging current, then press “↵” to confirm.

UNIT: #1.1	
LOAD UNPROTECTED	2008-10-02
ON AUTO BYPASS	11:59:59
CHARGER SETUP	
✎CHARGER CURRENT(A)	3

Press “ESC” to return to the “UPS SETUP” menu.

e. PARALLEL SETUP

Use “▼” or “▲” to select “PARALLEL”, then press “↵” to confirm.

1. Use “▼” or “▲” to select the desired item, then press “↵” to confirm.

UNIT: #1.1	
LOAD UNPROTECTED	2008-10-02
ON AUTO BYPASS	11:59:59
PARALLEL SETUP	
▶▶ PARALLEL GROUP	1
PARALLEL ID	1

2. PARALLEL GROUP

Use “▼” or “▲” to set the UPS group for parallel redundancy installation, then press “↵” to confirm.

The setting is just for LBS (Load Bus Synchronization) application.
The default setting is group 1.

UNIT: #1.1	
LOAD UNPROTECTED	2008-10-02
ON AUTO BYPASS	11:59:59
PARALLEL SETUP	
✎ PARALLEL GROUP	1
PARALLEL ID	1

3. PARALLEL ID

Use “▼” or “▲” to set the UPS ID for parallel redundancy installation, then press “↵” to confirm.

(The ID is from 0 to 7.)

UNIT: #1.1	
LOAD UNPROTECTED	2008-10-02
ON AUTO BYPASS	11:59:59
PARALLEL SETUP	
PARALLEL GROUP	1
✎ PARALLEL ID	1

Press “ESC” to return to the “UPS SETUP” menu.

f. CONTROL & TEST SETUP

Use “▼” or “▲” to select “CONTROL & TEST”, then press “↵” to confirm.

1. Use “▼” or “▲” to select the desired item, then press “↵” to confirm.

UNIT: #1.1	
LOAD UNPROTECTED	2008-10-02
ON AUTO BYPASS	11:59:59
CONTROL & TEST	
▶▶BAT AUTO TEST	OFF DAILY WEEKLY
	BIWEEKLY MONTHLY
BUZZER	ENABLE DISABLE
MANUAL BAT TEST	
FORCE BOOST CHARGE	
CLR BAT TEST RESULT	
BUZZER & LED TEST	

2. Battery Auto Test
Use “▼” or “▲” to select the desired item, then press “↵” to confirm.

UNIT: #1.1	
LOAD UNPROTECTED	2008-10-02
ON AUTO BYPASS	11:59:59
CONTROL & TEST	
✎BAT AUTO TEST	OFF DAILY WEEKLY
	BIWEEKLY MONTHLY
BUZZER	ENABLE DISABLE
MANUAL BAT TEST	
FORCE BOOST CHARGE	
CLR BAT TEST RESULT	
BUZZER & LED TEST	

3. Buzzer
Use “▼” or “▲” to select enable or disable the buzzer, then press “↵” to confirm.

UNIT: #1.1	
LOAD UNPROTECTED	2008-10-02
ON AUTO BYPASS	11:59:59
CONTROL & TEST	
BAT AUTO TEST	OFF DAILY WEEKLY
	BIWEEKLY MONTHLY
✎BUZZER	ENABLE DISABLE
MANUAL BAT TEST	
FORCE BOOST CHARGE	
CLR BAT TEST RESULT	
BUZZER & LED TEST	

4. Manual Battery Test
Press “↵” to execute “**MANUAL BAT TEST**”.

(This item is only accessible for administrator! The Password will be needed.)

UNIT: #1.1	
LOAD UNPROTECTED	2008-10-02
ON AUTO BYPASS	11:59:59
CONTROL & TEST	
BAT AUTO TEST	OFF DAILY WEEKLY
	BIWEEKLY MONTHLY
BUZZER	ENABLE DISABLE
✎MANUAL BAT TEST	OK?
FORCE BOOST CHARGE	
CLR BAT TEST RESULT	
BUZZER & LED TEST	

5. Force Boost Charge
Press "↵" to execute "**FORCE BOOST CHARGE**".

(This item is only accessible for administrator! The Password will be needed.)

```

UNIT: #1.1
LOAD UNPROTECTED          2008-10-02
ON AUTO BYPASS           11:59:59

CONTROL & TEST
BAT AUTO TEST             OFF    DAILY  WEEKLY
                           BIWEEKLY MONTHLY
BUZZER                    ENABLE  DISABLE
MANUAL BAT TEST
/ FORCE BOOST CHARGE       OK?
CLR BAT TEST RESULT
BUZZER & LED TEST
  
```

6. Clear Battery Test Result
Press "↵" to execute "**CLR BAT TEST RESULT**". This will clear all battery test results in log.

```

UNIT: #1.1
LOAD UNPROTECTED          2008-10-02
ON AUTO BYPASS           11:59:59

CONTROL & TEST
BAT AUTO TEST             OFF    DAILY  WEEKLY
                           BIWEEKLY MONTHLY
BUZZER                    ENABLE  DISABLE
MANUAL BAT TEST
FORCE BOOST CHARGE
/ CLR BAT TEST RESULT     OK?
BUZZER & LED TEST
  
```

7. Buzzer & LED Test
Press "↵" to execute "**BUZZER & LED TEST**".

(This item is only accessible for administrator! The Password will be needed.)

```

UNIT: #1.1
LOAD UNPROTECTED          2008-10-02
ON AUTO BYPASS           11:59:59

CONTROL & TEST
BAT AUTO TEST             OFF    DAILY  WEEKLY
                           BIWEEKLY MONTHLY
BUZZER                    ENABLE  DISABLE
MANUAL BAT TEST
FORCE BOOST CHARGE
CLR BAT TEST RESULT
/ BUZZER & LED TEST      OK?
  
```

Press "ESC" to return to the "UPS SETUP" menu.

g. LOCAL SETUP

Use “▼” or “▲” to select “LOCAL SETUP”, then press “↵” to confirm.

1. Use “▼” or “▲” to select the desired item, then press “↵” to confirm.

UNIT: #1.1	
LOAD UNPROTECTED	2008-10-02
ON AUTO BYPASS	12:19:59
LOCAL	
▶▶DATE (Y-M-D)&TIME	08-10-02 12:19:59
DATE FORMAT	Y-M-D M-D-Y D-M-Y
SERIAL COM ID	0
LCD CONTRAST	5
ADMIN PASSWORD	0000
USER PASSWORD	0000
LANGUAGE	繁體 简体 ENGLISH

2. Date & Time

Use “▼” or “▲” to change the “DATE and TIME”, then press “↵” to confirm.

(This item is user accessible!)

UNIT: #1.1	
LOAD UNPROTECTED	2008-10-02
ON AUTO BYPASS	12:19:59
LOCAL	
✎DATE (Y-M-D)&TIME	08-10-02 12:19:59
DATE FORMAT	Y-M-D M-D-Y D-M-Y
SERIAL COM ID	0
LCD CONTRAST	5
ADMIN PASSWORD	0000
USER PASSWORD	0000
LANGUAGE	繁體 简体 ENGLISH

3. Date Format

Use “▼” or “▲” to change the date format, then press “↵” to confirm.

(This item is user accessible!)

UNIT: #1.1	
LOAD UNPROTECTED	2008-10-02
ON AUTO BYPASS	12:19:59
LOCAL	
DATE (Y-M-D)&TIME	08-10-02 12:19:59
✎DATE FORMAT	Y-M-D M-D-Y D-M-Y
SERIAL COM ID	0
LCD CONTRAST	5
ADMIN PASSWORD	0000
USER PASSWORD	0000
LANGUAGE	繁體 简体 ENGLISH

4. Serial COM ID

Use “▼” or “▲” to set the ID of serial port, then press “↵” to confirm.

UNIT: #1.1	
LOAD UNPROTECTED	2008-10-02
ON AUTO BYPASS	12:19:59
LOCAL	
DATE (Y-M-D)&TIME	08-10-02 12:19:59
DATE FORMAT	Y-M-D M-D-Y D-M-Y
✎SERIAL COM ID	0
LCD CONTRAST	5
ADMIN PASSWORD	0000
USER PASSWORD	0000
LANGUAGE	繁體 简体 ENGLISH

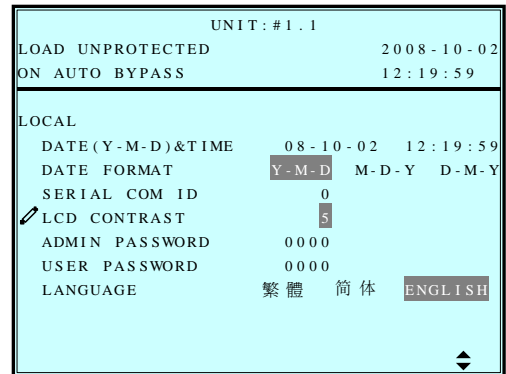


For standard RS232 connection, this ID is meaningless; if using the RS485/RS422 converter of other brands to connect to RS232 port, the ID can be set to 00, 01.....99.

5. LCD Contrast

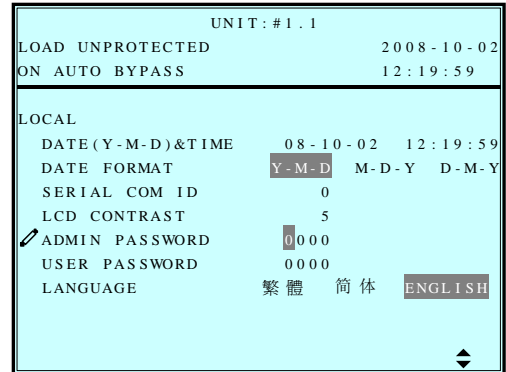
Use “▼” or “▲” to set the contrast of LCD screen, then press “↵” to confirm.

(This item is user accessible!)



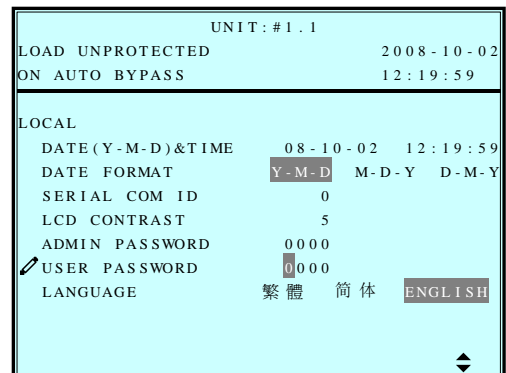
6. Administrator Password

The password consists of 4 digitals.
Use “▼” or “▲” to select the first number, then press “↵” for the next digital. After all digitals are selected, press “↵” to confirm.



7. User Password

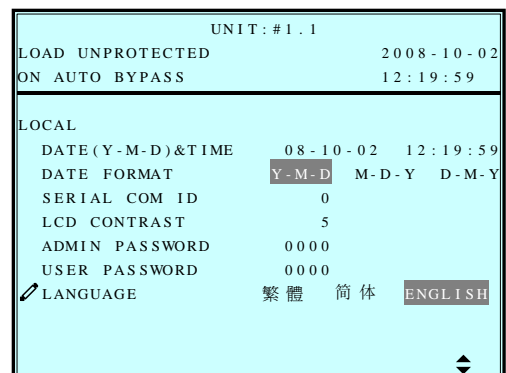
The password consists of 4 digitals.
Use “▼” or “▲” to select the first number, then press “↵” for the next digital. After all digitals are selected, press “↵” to confirm.



8. Language

Use “▼” or “▲” to select the language of LCD screen, then press “↵” to confirm.

(This item is user accessible!)



Press “ESC” to return to the “UPS SETUP” menu.

7-6 Maintenance

Use “▼” or “▲” to select “**MAINTENANCE**” in the main menu, then press “↵” to confirm. The first item is the series number of the UPS unit.

1. Use “▼” or “▲” to select the desired item, then press “↵” to confirm.

UNIT: #1.1	
LOAD UNPROTECTED	2008-10-02
ON AUTO BYPASS	11:59:59
MAINTENANCE	
S/N	E1E08200013W0
▶▶ FW VERSION	
STATISTICS	
EVENT LOG	
ADVANCED	

2. Firmware Version
Use “▼” or “▲” to select the F/W version item, then press “↵” to confirm.

(That will show the firmware version of the system and each power module.)

UNIT: #1.1	
LOAD UNPROTECTED	2008-10-02
ON AUTO BYPASS	11:59:59
SYSTEM NHPLUS 0 0 1	
PM	PFC INV
#1 HSA1A10108810000	HSA1A10208820000
#2 HSA1A10108810000	HSA1A10208820000
#3 HSA1A10108810000	HSA1A10208820000
#4 HSA1A10108810000	HSA1A10208820000

3. Statistics
Use “▼” or “▲” to read the statistics data, then press “↵” to confirm.

(That will show the “counts on battery”, “counts on bypass” and “total operation time”.)

UNIT: #1.1	
LOAD UNPROTECTED	2008-10-02
ON AUTO BYPASS	11:59:59
ON BAT COUNTS	10
ON BYPASS COUNTS	123
OPERATION TIME(Y-D-H-M)	00-003-04-59

4. Event Log

Use “▼” or “▲” to read the event log, then press “↵” to confirm.

```
UNIT: #1.1
LOAD UNPROTECTED          2008-10-02
ON AUTO BYPASS           11:59:59

<001> 08-10-02 08:10:46
  Bypass Freq Abnormal
<002> 08-10-02 08:10:58
  Mains Input Voltage Abnormal
<003> 08-10-02 08:10:58
  Mains Input Freq Abnormal
<004> 08-10-02 08:10:59
  Output Breaker Off
<005> 08-10-02 08:10:59
  On Bypass
```

5. Advance

Use “▼” or “▲” to select the “**ADVANCED**” item, then press “↵” to confirm.

The “**ADVANCED**” item includes “clear statistics”, “clear event log” “firmware upgrade” and “other status monitor for service”.

```
UNIT: #1.1
LOAD UNPROTECTED          2008-10-02
ON AUTO BYPASS           11:59:59

ADVANCED
▶▶ CLR STATISTICS
  CLR EVENT LOG
  FW UPGRADE
  OTHERS
```

(This item is only accessible for administrator! The Password will be required to confirm again.)

Press “ESC” to return to the “Main Menu”.

8. Power Management Software

8-1 DELTA Software Family

◆ Communication Ports

	RS232	USB	RS485	SNMP
InsightPower Client				◆
UPSentry Smart 2000	◆	◆		
InsightPower Manager	◆		◆	◆
Shutdown Agent				◆

◆ Main Applications

	Shutdown OS	Centralized Management	Remote Monitoring
InsightPower Client	◆		◆
UPSentry Smart 2000	◆		◆
InsightPower Manager		◆	◆
Shutdown Agent	◆		

◆ Supported Operating Systems

	Windows	Linux	FreeBSD	Mac OSX	SCO	Sun Solaris	HP-UX	IBM AIX
InsightPower Client	◆							
UPSentry Smart 2000	◆	◆	◆	◆	◆	◆	◆	◆
InsightPower Manager	◆							
Shutdown Agent	◆	◆	◆	◆	◆	◆	◆	◆

8-2 UPSentry Smart 2000

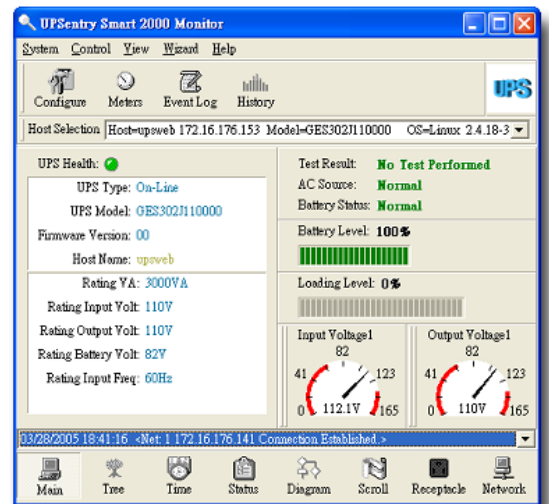
DELTA develops a power software family to easily integrate the UPS into your system. "UPSentry Smart 2000" supports installing in popular operating systems such as Windows, Linux, FreeBSD...etc.

Advanced Features:

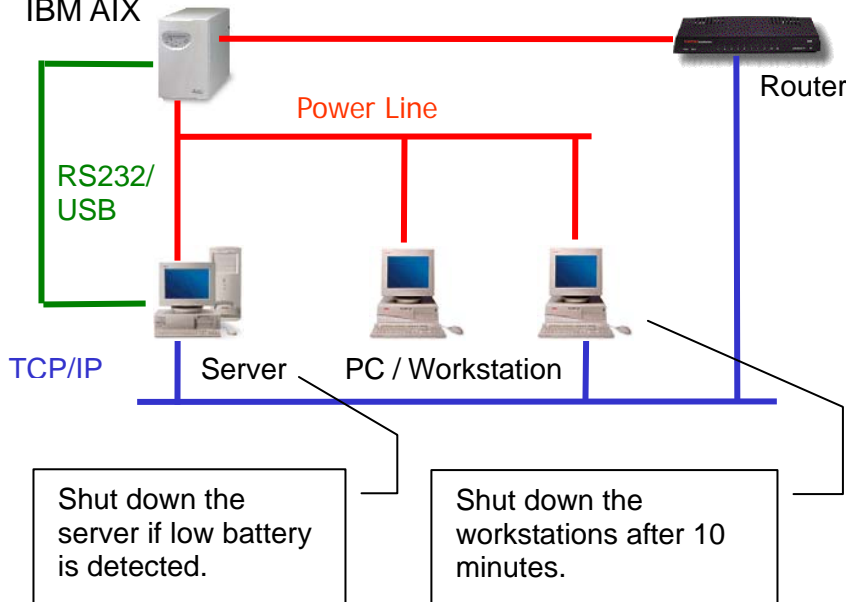
- ◆ Supports RS232 and USB protocols
- ◆ Multi-language design (English, French, German, Spanish, Portuguese, Italian, Polish, Chinese and Japanese)
- ◆ Multi-server shutdown/wakeup in various operating systems by using the Master/Slave software structure without any SNMP card.
- ◆ Unattended operating systems auto shutdown and file-saving function
- ◆ Supports Windows hibernation feature
- ◆ Programmable actions (FlexAction)
- ◆ Remote and local UPS real-time management
- ◆ Supports the get, set and trap commands of SNMP communication protocol.
- ◆ Built-in mini Web server

Supported Operating Systems:

- ◆ Microsoft Windows 95, 98, Me, NT4, 2000, XP, 2003, Vista
- ◆ Mac OSX
- ◆ Linux
- ◆ FreeBSD
- ◆ SCO OpenServer
- ◆ Sun Sparc and x86
- ◆ HP-UX
- ◆ IBM AIX



Main Screen



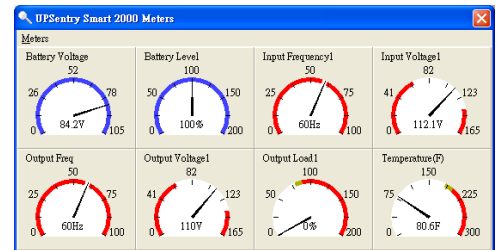
PC Remote Shutdown

8-2-1 Flexible Management Functions of UPSentry Smart 2000

“UPSentry Smart 2000” provides the following powerful management functions for administrator of data center, MIS and IDC.

1. Real-Time Monitoring, Record and Analysis

Real-Time meters: Provides 4 (single phase) or 12 (3 phases) meters displaying actual values of power. Each meter is can be defined by the user to show different power information (voltage, current, frequency...etc.) or UPS real-time status.

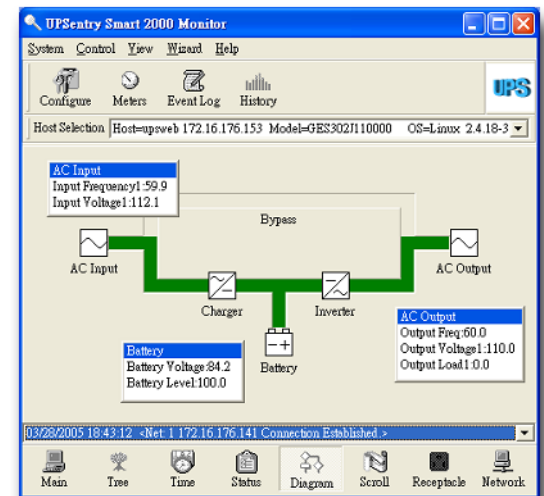


Real-Time Meters

Power Events: Records occurrence of power events (such as blackout, power recover and bypass...etc.) for future problem tracking. You can print out all the records.

Historical Data: Records (by graphic) the input/output voltage/frequency, loading, battery volts, UPS model and fault ...etc.

Block diagram and status: Displays the UPS status in graphical format, such as input/output voltage/frequency, battery volts and backup time.



UPS Status Chart

2. Power Event Management

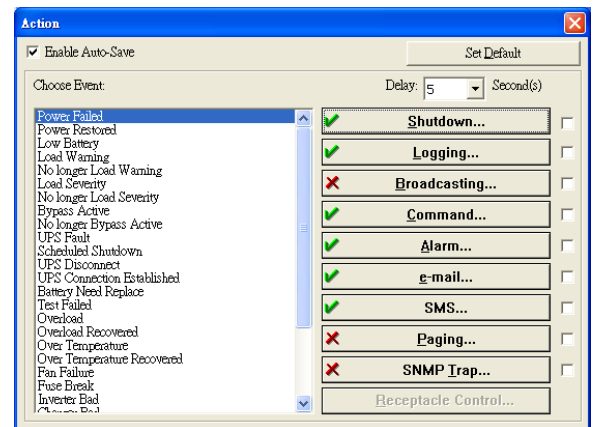
“UPSentry Smart 2000” provides various flexible tools to manage different power events or UPS status (Blackout, recover, battery low, overload, fault and battery test... etc.).

Administrator can formulate the required contingency plans in advance to handle all kinds of threats from power events.

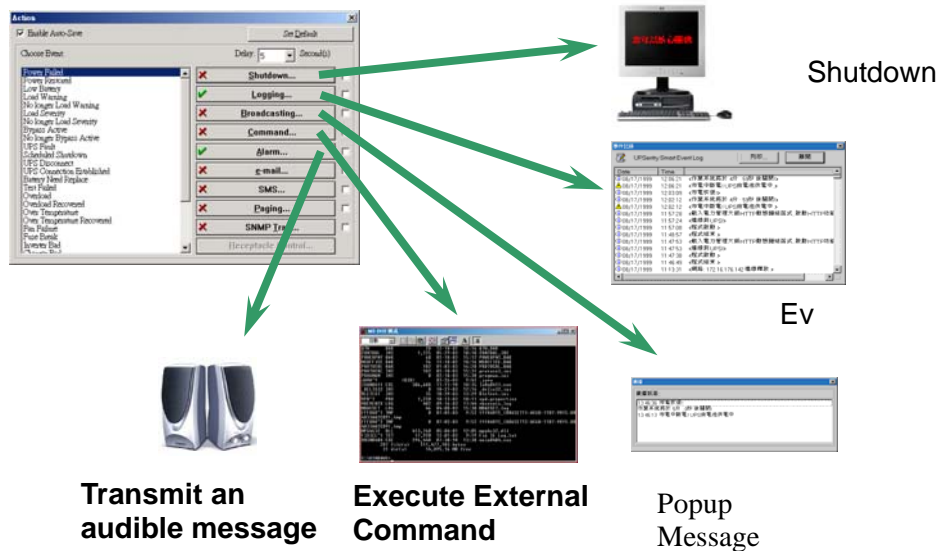
UPSentry Smart 2000 provides flexible protection actions:

- Gracefully shutdown PC/Server
- Event log
- Network broadcast
- Auto paging
- Email
- SMS (short message)
- Audible alarm
- Execute external commands

Moreover, the “delay” setting can avoid the temporary interference frequently occurred. For the areas with a problem of unstable power quality, the administrator will be informed only when true power events occur.



Programmable action for power event



3. Overload Alarm Setting

Administrator can set two-stage overload limit value between 0%-100%. The warning message will pop up while reaching the load limit.

4. Scheduled Shutdown/Auto Restart

UPSentry Smart 2000 can safely shut down the PC and then turn off the UPS. All the process is automatically proceeded to protect precious data, files and equipment. Besides, administrator can plan a shutdown and restart schedule to meet different user-defined application requirements.

5. Voice Alarm Message

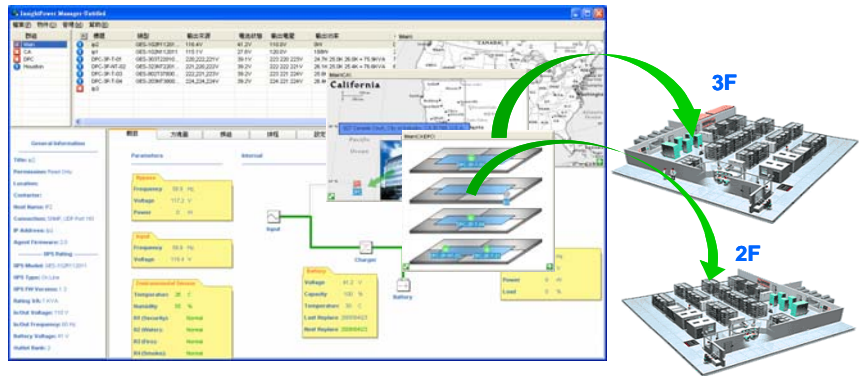
Administrator can prepare a pre-recorded alarm voice message and text. When a power event occurs, "UPSentry Smart 2000" will transmit the pre-recorded voice message and the pre-set text will be displayed on the screen.

8-3 InsightPower Manager

For large-scale machine rooms or factories, administrator requires centralized monitoring and control for the UPSs. DELTA develops “InsightPower Manager” to reach this purpose.

Features:

- ◆ Centralized monitoring and control of the UPS via TCP/IP network
- ◆ Supports RS232, RS485 and SNMP connections.
- ◆ Supports database connection through ODBC.
- ◆ Adopts the hierarchical design that allows unlimited nodes.
- ◆ Client/Server design allows opening multiple remote Monitor programs to connect to the same Service program.
- ◆ Programmable actions
- ◆ SNMP Batch configuration management
- ◆ Remote and local UPS real-time management
- ◆ Generates routine reports
- ◆ Scheduled shutdown/restart for each individual UPS and commands such as battery test
- ◆ Save the users operation log, UPS event log and historical parameters in database



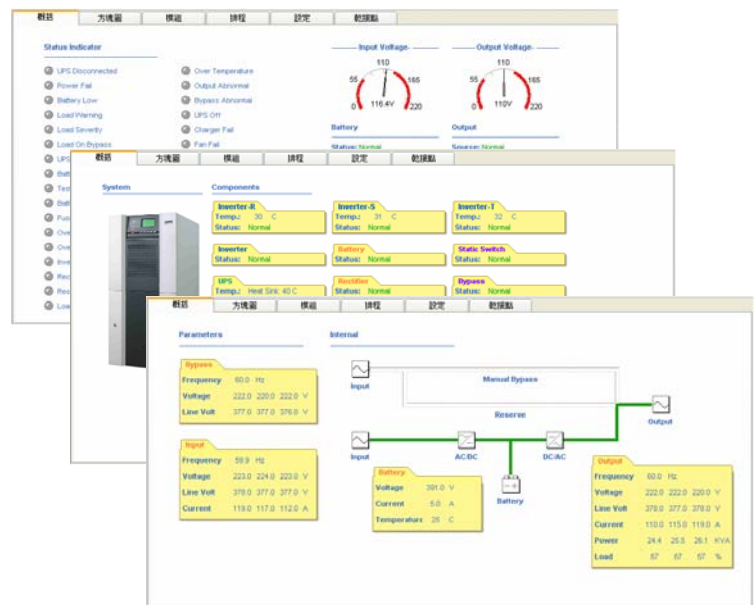
Centralized Monitoring Management

Display:

1. Form: Shows all the UPS status or by group.
2. Hierarchical structure: Shows the UPS location to know the status immediately.
3. Multiple view formats: Meters, block diagram, lamp alarms and graphic chart.

Power Event Management:

- ◆ Event log
- ◆ Network broadcasting
- ◆ Voice alarm
- ◆ Email
- ◆ SMS (short message) notification



Hierarchical structure

Event Tracking:

- ◆ Records UPS events and operation records by date/time.
- ◆ Allows showing the graphic chart of historical data records that can be saved as EXCEL files.
- ◆ Allows assigning a period to generate a statistical report.

